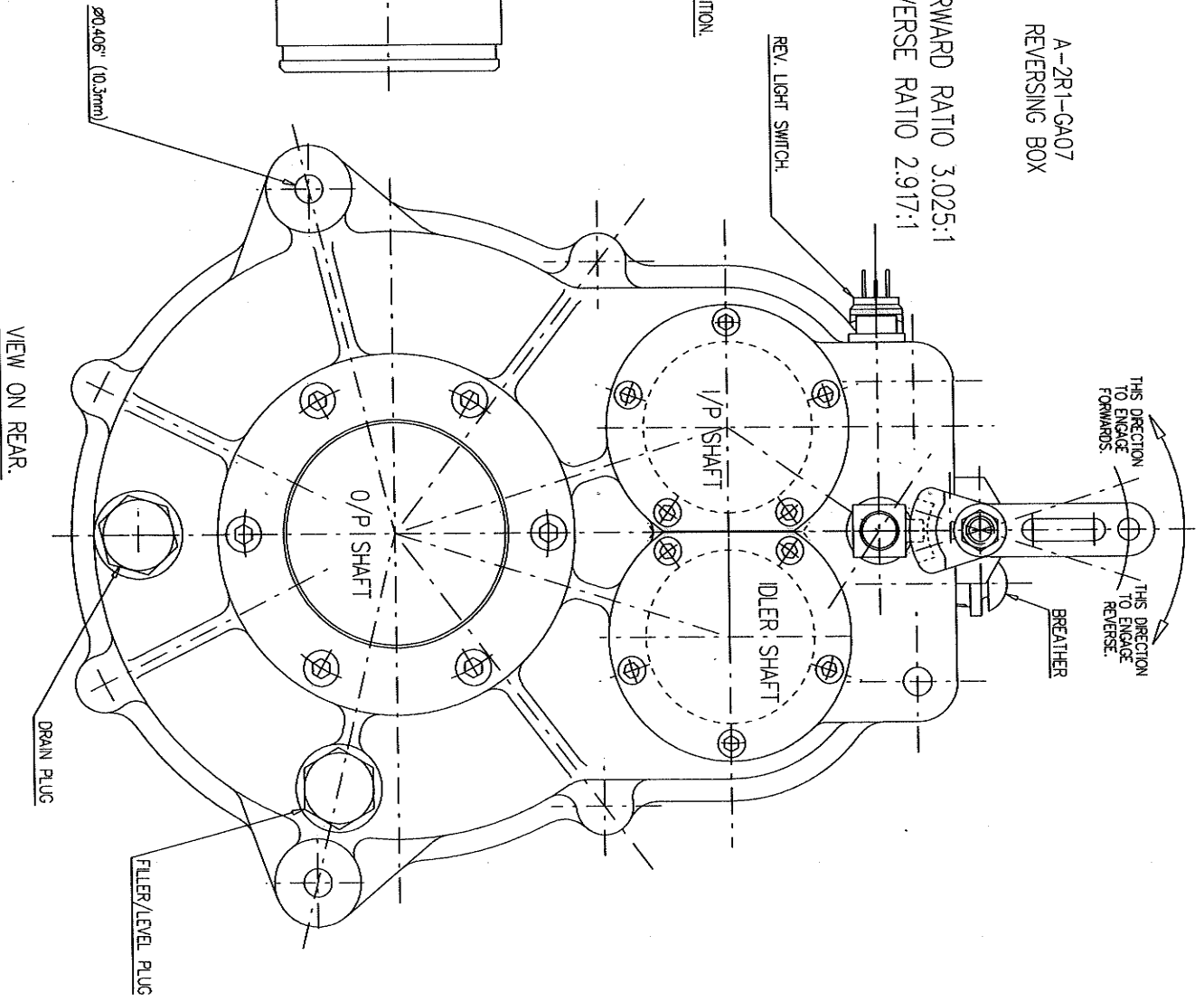


A-2R1-GA07
 REVERSING BOX
 FORWARD RATIO 3.025:1
 REVERSE RATIO 2.917:1



SECTION A-A

