



Insert the correct compound code here

**HB 103 x .590**

Brake Pad	Compound Code
<b>Motorsports Compounds</b>	
DTC-70	U
DTC-60	G
DTC-30	W
DTC-05	H
HT-14	V
HT-10	S
MT-4	L
Blue 9012	E
Black	M
DR-97	J
HP Plus	N
<b>Street Compounds</b>	
HPS Performance Street	F
Performance Ceramic	Z
LTS Light Truck & SUV	Y
SuperDuty	P

Pad thickness in inches and [millimeters] to include core and friction material

Hawk Performance reference number

Industry reference number

Length in inches and [millimeters]

Width in inches and [millimeters]

Original equipment and/or aftermarket caliper manufacturer

**PART NO.** FMSI D# .665 [17]

**HB 103 M .590 [15]**

Hawk Performance Brake Pad

Hawk Pad Shape

Compound Letter Code

Overall Thickness

PORSCHE



<b>HB-100</b>  .480 [12] .625 [16] 3.96 [101] 2.58 [66] OUTLAW, SIERRA, WILWOOD	<b>HB-101</b>  .800 [20] 5.25 [133] 2.78 [71] AP RACING, OUTLAW, SIERRA, WILWOOD	<b>HB-102</b>  .800 [20] .625 [16] 6.74 [171] 2.97 [75] AP RACING, SIERRA, WILWOOD
<b>HB-103</b> FMSI D0052 .590 [15] FMSI D0122 FMSI D0313  7.21 [183] 2.58 [66] INNER 7.77 [197] 2.32 [59] OUTER STANDARD GM - TRUCK & PASSENGER CAR	<b>HB-104</b>  .485 [12] 1.97 [50] 2.37 [60] OUTLAW, SIERRA, WILWOOD	<b>HB-105</b>  .620 [16] .980 [25] .708 [18] .775 [20] 5.18 [132] 2.44 [62] ALCON, BREMBO, PORSCHE
<b>HB-106</b>  .980 [25] 1.120 [28] 5.12 [130] 3.25 [83] ALCON, SIERRA, WILWOOD	<b>HB-107</b>  .620 [16] 4.47 [114] 1.86 [47] ALCON, AP RACING, FORMULA ATLANTIC	<b>HB-108</b> FMSI D0005 0.560 [14]  2.76 [70] 2.25 [57] AP RACING, FORMULA FORD 2000, LUCAS GIRLING
<b>HB-109</b>  .710 [18] .980 [25] 1.120 [28] 5.98 [152] 3.20 [81] ALCON, AP RACING	<b>HB-110</b>  .654 [17] .775 [20] 5.20 [132] 2.19 [56] ALCON, AP RACING	<b>HB-111</b> FMSI D0412 .610 [15]  6.73 [171] 2.03 [52] CAMARO, CORVETTE, FIREBIRD, MUSTANG



**HB-112** FMSI D213 .540 [14]  
FMSI D295 .590 [15]  
FMSI D413

4.48 [114]  
2.20 [56] INNER  
2.18 [55] OUTER

CAMARO, CORVETTE,  
FIREBIRD (REAR)

**HB-113** FMSI D373 .590 [15]

5.20 [132]  
1.95 [50]

HONDA

**HB-114** .980 [25]

5.13 [130]  
3.03 [77]

ALCON, AP RACING,  
WILWOOD

**HB-126** FMSI D008 .505 [13]

6.21 [158]  
2.98 [76]

CHEVY, PONTIAC

**HB-128** .505 [13]

6.18 [157]  
2.56 [65]

CORVETTE TWIN PIN

**HB-129** FMSI D505 .681 [17]

5.81 [148]  
2.66 [68] INNER  
2.61 [66] OUTER

BUICK, CADILLAC, CHEVY, OLDS, PONTIAC

**HB-116** .580 [15]

3.27 [83]  
2.17 [55]

ALCON, LUCAS GIRLING

**HB-117** .380 [10]

2.34 [59]  
2.02 [51]

ALCON, AP RACING,  
FORMULA FORD 1600

**HB-118** FMSI D044 .560 [14]

2.50 [64]  
2.15 [55]

FORMULA MAZDA, LUCAS GIRLING

**HB-130** .775 [20]  
.980 [25]  
1.018 [26]

5.47 [139]  
2.82 [72]

BREMBO, WILWOOD

**HB-131** FMSI D153 .595 [15]  
FMSI D392  
FMSI D614

7.21 [183]  
2.76 [70] INNER  
2.48 [63] OUTER

CHEVROLET IMPALA, CAPRICE, POLICE & HD

**HB-132** FMSI D027 .580 [15]

3.50 [89]  
2.54 [65]

HUMBER, MG, SINGER, VAUXHALL

**HB-119** FMSI D138 .594 [15]  
FMSI D154  
FMSI D202

6.00 [152]  
2.87 [73] INNER  
2.60 [66] OUTER

GM METRIC - TRUCK & PASSENGER CAR

**HB-120** FMSI D531 .560 [14]

4.69 [119]  
2.57 [65]

DODGE STEALTH, MITSUBISHI 3000GT

**HB-121** .710 [18]  
.980 [25]

5.98 [152]  
3.11 [79]

ALCON AP RACING

**HB-134** FMSI D292 .665 [17]  
.706 [18]

3.93 [100]  
2.51 [64]

RENAULT

**HB-135** FMSI D394 .642 [16]  
FMSI D725 .770 [20]

6.15 [156]  
2.50 [64]

AUDI, BMW, JAGUAR

**HB-136** FMSI D558 .690 [18]

5.96 [151]  
2.26 [57]

BMW

**HB-122** .710 [18]  
.980 [25]

5.98 [152]  
2.94 [75]

ALCON, AP RACING

**HB-123** FMSI D061 .535 [14]

2.92 [74]  
2.54 [65]

AUSTIN, MG,  
MORRIS, TRIUMPH, WOLSELEY

**HB-125** FMSI D199 .650 [17]  
FMSI D200  
FMSI D499

5.61 [142]  
2.40 [61] INNER  
2.42 [61] OUTER

FORD, LINCOLN, MERCURY

**HB-137** FMSI D253 .690 [18]  
FMSI D395

6.23 [158]  
2.23 [57]

BMW, FERRARI, MASERATI, PORSCHE

**HB-138** .690 [18]

6.15 [156]  
2.07 [53]

OPEL ASTRA

**HB-141** FMSI D372 .650 [17]  
FMSI D447  
FMSI D609

5.18 [132]  
2.79 [71]

FERRARI, PORSCHE



**HB-142** FMSI D382 .525 [13]

MERKUR SCORPIO

**HB-143** FMSI D503 .680 [17]

ACURA, HONDA, ISUZU

**HB-144** FMSI D568 .690 [18]  
.714 [18]

HONDA PRELUDE

**HB-158** FMSI D283 .515 [13]  
FMSI D332  
FMSI D482

MAZDA RX-7, MAZDA 6 (REAR)

**HB-159** FMSI D636 .492 [12]  
FMSI D663

FORD, MAZDA, MERCURY (REAR)

**HB-160** FMSI D150 .660 [17]  
FMSI D346

LINCOLN

**HB-145** FMSI D536 .570 [14]  
FMSI D537  
FMSI D1086

ACURA, HONDA, ISUZU (REAR)

**HB-148** FMSI D457 .560 [14]  
FMSI D468  
FMSI D525

GEO, ISUZU, MAZDA

**HB-149** FMSI D635 .505 [13]

MAZDA MIATA

**HB-167** .620 [16]  
.778 [20]  
.854 [22]

AP RACING, BREMBO, FORMULA ATLANTIC

**HB-168** .770 [20]

BREMBO

**HB-169** FMSI D057 .560 [14]  
FMSI D114  
FMSI D161

NISSAN

**HB-150** FMSI D076 .555 [14]

MAZDA

**HB-151** FMSI D235 .505 [13]

MAZDA RX-7 (REAR)

**HB-152** FMSI D131 .540 [14]

MAZDA RX-7

**HB-170** FMSI D345 .650 [17]  
FMSI D446 .710 [18]  
FMSI D608

FERRARI, PORSCHE

**HB-171** FMSI D045 .590 [15]  
FMSI D287

ALFA ROMEO, PORSCHE

**HB-172** FMSI D031 .500 [13]  
FMSI D058 .595 [15]  
FMSI D861

LAMBORGHINI, MASERATI, PORSCHE, VOLVO

**HB-155** FMSI D331 .580 [15]  
FMSI D463  
FMSI D585

MAZDA RX-7

**HB-156** FMSI D094 .562 [14]  
FMSI D169  
FMSI D172

HYUNDAI

**HB-157** FMSI D458 .484 [12]

FORD, MAZDA, MERCURY (REAR)

**HB-173** FMSI D294 FMSI D294 .570 [14]  
.595 [15]

CORVETTE

**HB-176** FMSI D415 FMSI D658 .614 [16]  
FMSI D512 FMSI D759 .680 [17]  
FMSI D559 FMSI D782

CHRYSLER, DODGE, EAGLE, PLYMOUTH (REAR)

**HB-177** FMSI D642 .630 [16]  
.710 [18]

CHRYSLER, DODGE, PLYMOUTH



R.250 TYP.  
7 PLACES



BRAKE DIAGRAMS : PERFORMANCE BRAKING SOLUTIONS

PERFORMANCE BRAKING SOLUTIONS : BRAKE DIAGRAMS

**HB-178** FMSI D460 .564 [14]  
FMSI D647  
FMSI D1182

2.90 [74] INNER  
2.45 [62] OUTER

NISSAN 300ZX

**HB-179** FMSI D461 .630 [16]

2.15 [55]

NISSAN 300ZX (REAR)

**HB-180** FMSI D109 .525 [13]  
FMSI D174 .560 [14]  
FMSI D961 .591 [15]

3.02 [77]  
2.64 [67]

ALFA ROMEO, INFINITI, LOTUS,  
MITSUBISHI, NISSAN, SUBARU

**HB-192** .620 [16]

4.46 [113]  
2.05 [52]

ALCON, AP RACING, FORMULA ATLANTIC

**HB-193** FMSI D810 .670 [17]  
FMSI D968

5.18 [132]  
2.64 [67]

ASTON MARTIN, BREMBO F-40, DODGE,  
FERRARI, LAMBORGHINI, JAGUAR

**HB-194** FMSI D592 .570 [14]  
FMSI D1053 .665 [17]

4.32 [110]  
2.72 [69]

ALFA ROMEO, CADILLAC, DODGE,  
JAGUAR, LOTUS

**HB-181** FMSI D639 .590 [15]  
FMSI D0960 .660 [17]

4.70 [119]  
2.97 [75]

BMW, NISSAN

**HB-182** FMSI D600 .660 [17]

5.38 [137]  
2.78 [71]

FORD, MERCURY

**HB-183** FMSI D627 .585 [15]  
.660 [17]

3.53 [80]  
1.94 [62]

MUSTANG (REAR)

**HB-195** FMSI D278 FMSI D454 .640 [16]  
FMSI D321 FMSI D487  
FMSI D439 FMSI D493

3.73 [95]  
1.93 [49]

BMW, LAND ROVER, MERCEDES,  
PEUGEOT, SAAB

**HB-198** FMSI D252 .565 [14]  
FMSI D254 .685 [17]  
FMSI D445

3.02 [77]  
2.30 [58]

PORSCHE

**HB-199** FMSI D141 FMSI D443 .660 [17]  
FMSI D251 FMSI D455 .702 [18]  
FMSI D424

3.52 [89]  
2.77 [70]

LAMBORGHINI, PORSCHE

**HB-184** FMSI D594 .650 [17]  
.710 [18]

5.18 [132]  
2.95 [75]

AUDI, BREMBO, PORSCHE

**HB-185** FMSI D504 .590 [15]

4.35 [110]  
2.23 [57]

ACURA NSX

**HB-186** .770 [20]  
.854 [22]

3.13 [80]  
2.43 [62]

BREMBO

**HB-200** .854 [22]

3.33 [85]  
2.71 [69]

BREMBO

**HB-201** FMSI D631 .620 [16]

3.19 [81]  
2.72 [69] INNER  
2.36 [60] OUTER

DODGE STEALTH, MITSUBISHI 3000GT (REAR)

**HB-202** FMSI D189 .580 [15]  
FMSI D282

4.29 [109]  
1.92 [49] INNER  
2.05 [52] OUTER

SUBARU, TOYOTA

**HB-189** FMSI D158 FMSI D307 .550 [14]  
FMSI D206 FMSI D569 .595 [15]  
FMSI D280 .760 [19]

5.42 [138]  
2.02 [51] INNER  
1.93 [49] OUTER

VOLKSWAGEN

**HB-190** FMSI D227 FMSI D696 .600 [15]  
FMSI D290 .730 [19]  
FMSI D684

4.69 [119]  
2.73 [69]

AUDI, VOLKSWAGEN

**HB-191** FMSI D241 FMSI D356 .590 [15]  
FMSI D242 FMSI D539  
FMSI D302 FMSI D570

4.12 [105]  
1.87 [47]

CHEVY, GEO, TOYOTA

**HB203** FMSI D305 .550 [14]

3.88 [99]  
1.45 [37]

TOYOTA COROLLA (REAR)

**HB-204** FMSI D043 .615 [16]

3.86 [98]  
2.37 [60]

VOLVO

**HB-205** FMSI D659 .672 [17]  
FMSI D678

5.69 [145]  
2.79 [71]

FORD, LINCOLN, MERCURY



**HB-206** FMSI D082 .565 [14]  
FMSI D163

ALFA ROMEO, FERRARI, LAMBORGHINI

**HB-207** FMSI D100 .580 [15]  
FMSI D145

MERCEDES

**HB-208** .708 [18]

BREMBO F3000, WILWOOD

**HB-221** 1.100 [28]  
1.180 [30]

AP RACING, BREMBO, WILWOOD

**HB-224** 1.120 [28]

ALCON, WILWOOD

**HB-226** .650 [17]

ALCON, AP RACING

**HB-210** FMSI D477 .677 [17]  
FMSI D712

JEEP

**HB-211** FMSI D583 .606 [15]  
FMSI D637 .634 [16]  
FMSI D893

FORD, KIA, MAZDA

**HB-212** FMSI D584 .535 [14]

FORD, MAZDA (REAR)

**HB-227** FMSI D396 .630 [16]  
FMSI D692  
FMSI D763

BMW, SAAB (REAR)

**HB-229** FMSI D081 .580 [15]

TRIUMPH

**HB-230** FMSI D535 .575 [15]  
FMSI D602 .625 [16]

DODGE, EAGLE, MITSUBISHI

**HB-213** FMSI D484 .626 [16]

CHRYSLER, DODGE, EAGLE, MITSUBISHI, PLYMOUTH

**HB-214** FMSI D530 .618 [16]  
FMSI D723

DODGE, EAGLE, MITSUBISHI, PLYMOUTH

**HB-215** FMSI D629 .630 [16]

TOYOTA SUPRA TURBO

**HB-231** FMSI D422 .625 [16]

NISSAN 240SX

**HB-232** FMSI D376 .681 [17]

BUICK, CHEVY, OLDS, PONTIAC

**HB-233** FMSI D650 .635 [16]

CHRYSLER, DODGE, PLYMOUTH

**HB-216** FMSI D630 .590 [15]

TOYOTA SUPRA TURBO (REAR)

**HB-217** FMSI D623 .681 [17]

BUICK, CADILLAC, CHEVY, OLDS, PONTIAC

**HB-218** FMSI D273 .583 [15]  
FMSI D474  
FMSI D560

HONDA

**HB-235** FMSI D462 .665 [17]  
FMSI D469  
FMSI D485

INFINITI, NISSAN

**HB-236** FMSI D668 .622 [16]

NISSAN

**HB-237** .480 [12]  
.625 [16]

OUTLAW, SIERRA, WILWOOD



**HB-238** FMSI D499 .650 [17]

ALCON, WILWOOD

**HB-239** FMSI D417 FMSI D421 FMSI D597 .620 [16]

FORD, LINCOLN

**HB-240** FMSI D750 .653 [17]

FORD, MERCURY

**HB-250** FMSI D225 1.140 [29]

CAMARO, FIREBIRD (REAR)

**HB-251** FMSI D184 FMSI D380 FMSI D717 .860 [22]

CHEVY/GMC TRUCK, FREIGHTLINER, INTERNATIONAL

**HB-252** FMSI D120 .655 [17]

CHEVY/GMC TRUCK, FREIGHTLINER, INTERNATIONAL

**HB-241** FMSI D591 .710 [18]

CHRYSLER, DODGE, EAGLE, PLYMOUTH

**HB-242** FMSI D341 FMSI D409 .661 [17]

ACURA, HONDA

**HB-243** .705 [18]

RENAULT

**HB-253** FMSI D224 .750 [19]

CHEVY/GMC TRUCK, FORD TRUCK

**HB-254** FMSI D236 1.000 [25]

FORD TRUCK

**HB-255** FMSI D120 .655 [17]

FORD TRUCK

**HB-244** FMSI D004 .624 [16]

ALFA ROMEO, ASTON MARTIN, JAGUAR, LOTUS, VOLVO

**HB-245** FMSI D617 .631 [16]

ACURA, HONDA

**HB-246** FMSI D473 .567 [14]

FORD, MAZDA, MERCURY

**HB-259** FMSI D324 .620 [16]

FORD, LINCOLN, MERCURY

**HB-260** FMSI D730 .670 [17]

CHRYSLER

**HB-261** FMSI D449 FMSI D700 FMSI D747 .665 [17]

HYUNDAI, KIA

**HB-247** FMSI D731 .575 [15]

C-5 CORVETTE, CADILLAC XLR

**HB-248** FMSI D732 .650 [17]

C-5 CORVETTE, CADILLAC XLR (REAR)

**HB-249** FMSI D749 .575 [15]

CAMARO, FIREBIRD

**HB-262** FMSI D272 FMSI D323 FMSI D429 FMSI D464 FMSI D230 FMSI D231 FMSI D232 .540 [14]

HYUNDAI, NISSAN (REAR)

**HB-263** FMSI D431 .650 [17]

FORD

**HB-264** FMSI D1025 .575 [15]

HUMMER H1



R.250 TYP.  
7 PLACES



**HB-265** FMSI D037 .685 [17]

NISSAN 610

**HB-266** FMSI D679 .650 [17]

FORD F-150, LINCOLN BLACKWOOD

**HB-268** FMSI D430 FMSI D815 .665 [17]

INFINITI, NISSAN

**HB-284** FMSI D664 .575 [15]

FORD WINDSTAR (REAR)

**HB-285** FMSI D625 .695 [18]

FORD, JEEP

**HB-286** FMSI D666 FMSI D713 .591 [15]

JEEP

**HB-269** FMSI D555 .763 [19]

AUDI

**HB-270** FMSI D362 FMSI D419 .724 [18]

AUDI

**HB-271** FMSI D228 FMSI D306 FMSI D851 .605 [15] .635 [16]

AUDI, VOLKSWAGEN (REAR)

**HB-287** FMSI D667 .571 [15]

FORD TRUCK, MERCURY MOUNTAINEER

**HB-289** FMSI D737 .610 [15]

PORSCHE BOXSTER

**HB-290** FMSI D738 .583 [15] .606 [15]

PORSCHE (REAR)

**HB-272** FMSI D687 .763 [19]

AUDI, VOLKSWAGEN

**HB-274** FMSI D804 .610 [15]

FORD MUSTANG

**HB-275** FMSI D465 FMSI D764 .620 [16] .660 [17] .720 [18]

ACURA, HONDA

**HB-291** FMSI D776 .642 [16]

PORSCHE

**HB-292** FMSI D050 FMSI D092 .674 [17]

FORD, LINCOLN, MERCURY

**HB-293** FMSI D360 FMSI D375 .634 [16] .668 [17]

FORD TRUCK

**HB-278** FMSI D491 .465 [12] .583 [15]

LOTUS ELISE, DODGE VIPER (REAR)

**HB-279** FMSI D205 FMSI D249 FMSI D607 FMSI D654 .594 [15]

FORD, FORD TRUCK, MAZDA

**HB-283** FMSI D652 .650 [17]

FORD TRUCK, MAZDA, MERCURY

**HB-294** FMSI D748 .646 [16]

FORD, LINCOLN, MERCURY

**HB-295** FMSI D626 FMSI D632 .630 [16]

FORD TRUCK

**HB-296** FMSI D370 FMSI D845 .670 [17]

CHEVY/GMC TRUCK, DODGE TRUCK



**HB-298** FMSI D459 .787 [20]

4.95 [126] 3.33 [85] INNER  
5.80 [147] 2.32 [59] OUTER

CHEVY/GMC TRUCK, DODGE TRUCK

**HB-299** FMSI D702 .650 [17]

7.42 [188] 2.22 [56]

DODGE TRUCK, FORD TRUCK, LINCOLN

**HB-300** FMSI D0758 FMSI D0966 .622[16]  
FMSI D0842 FMSI D1079  
FMSI D0897

7.42 [188] 2.19 [56]

DODGE TRUCK

**HB-311** FMSI D0611 .591 [15]

4.70 [119] 3.03 [77] INNER  
4.69 [119] 2.83 [72] OUTER

TOYOTA

**HB-312** FMSI D0502 .591 [15]

4.69 [119] 2.83 [72]

LEXUS LX450, TOYOTA LANDCRUISER

**HB-313** FMSI D0772 .685 [17]

4.69 [119] 2.89 [73]

LEXUS LX470, TOYOTA LANDCRUISER

**HB-301** FMSI D0711 .630 [16]  
FMSI D0879

5.61 [142] 1.93 [49] INNER  
5.61 [142] 1.93 [49] OUTER

FORD TRUCK, LINCOLN (REAR)

**HB-302** FMSI D0756 .700 [18]  
FMSI D0824

7.61 [193] 2.52 [64]

FORD TRUCK

**HB-303** FMSI D0757 .685 [17]

6.25 [159] 2.06 [52]

FORD TRUCK (REAR)

**HB-314** FMSI D0812 .665 [17]

4.69 [119] 3.07 [78]

TOYOTA SEQUOIA/TUNDRA

**HB-315** FMSI D0436 .669 [17]

4.69 [119] 2.90 [74] INNER  
4.69 [119] 2.68 [68] OUTER

TOYOTA

**HB-316** FMSI D0799 .670 [17]

4.69 [119] 2.68 [68]

TOYOTA TACOMA

**HB-304** FMSI D0726 .598 [15]

6.57 [167] 2.40 [61]

CHEVY/GMC TRUCK, ISUZU, OLDS

**HB-305** FMSI D0729 .610 [15]

5.28 [134] 1.84 [47]

CHEVY/GMC TRUCK, ISUZU, OLDS (REAR)

**HB-306** FMSI D0746 .795 [20]

7.55 [192] 2.88 [73] INNER  
7.55 [192] 2.37 [60] OUTER

DODGE DAKOTA/DURANGO

**HB-317** FMSI D0410 .591 [15]

4.69 [119] 2.90 [74] INNER  
4.69 [119] 2.53 [64] OUTER

TOYOTA

**HB-318** FMSI D0697 .669 [17]  
FMSI D0718  
FMSI D0744

5.55 [141] 2.46 [62]

LEXUS, TOYOTA

**HB-320** FMSI D0707 .669 [17]

4.60 [117] 2.34 [59]

LEXUS, TOYOTA

**HB-307** FMSI D0820 .795 [20]

7.55 [192] 2.88 [73] INNER  
7.55 [192] 2.37 [60] OUTER

DODGE DAKOTA/DURANGO

**HB-308** FMSI D0529 .689 [18]  
FMSI D0593

6.98 [177] 2.14 [54]

DODGE DAKOTA

**HB-310** FMSI D0562 .689 [18]  
FMSI D0695

5.24 [133] 2.09 [53]

GEO, TOYOTA

**HB-321** FMSI D0741 .650 [17]

4.60 [117] 2.17 [55]

CHEVY, TOYOTA

**HB-322** FMSI D0784 .717 [18]

8.50 [216] 2.64 [67]

CADILLAC, GMC/CHEVY TRUCK, HUMMER H2

**HB-323** FMSI D0785 .724 [18]

6.97 [177] 2.33 [59]

CADILLAC, CHEVY/GMC TRUCK, HUMMER H2





**HB-324** FMSI D0792 .673 [17]

CADILLAC,  
CHEVY/GMC TRUCK (REAR)

**HB-325** FMSI D0547 .720 [18]  
FMSI D0681

BMW

**HB-326** FMSI D0691 .646 [16]  
FMSI D0855

ACURA,  
INFINITI, NISSAN

**HB-337** FMSI D0149 .791 [20]  
FMSI D0543

CHEVY/GMC TRUCK

**HB-340** .710 [18]

PORSCHE 996 GTR

**HB-341** FMSI D0674 .618 [16]

FORD, LINCOLN,  
MERCURY (REAR)

**HB-327** FMSI D0786 .799 [20]  
1.050 [27]

INTERNATIONAL

**HB-328** FMSI D0817 .685 [17]

TOYOTA CELICA

**HB-329** FMSI D0823 .543 [14]

PONTIAC, TOYOTA CELICA (REAR)

**HB-342** FMSI D0803 .701 [18]

FORD WINDSTAR

**HB-343** FMSI D0546 .866 [22]

CHEVY/GMC TRUCK, ISUZU

**HB-344** FMSI D0769 .992 [25]

CHEVY/GMC TRUCK,  
FORD TRUCK, THOMAS

**HB-331** .854 [22]  
1.170 [30]

AP RACING, BREMBO  
TRANS AM

**HB-332** FMSI D0369 .654 [17]  
FMSI D0789

CADILLAC, CHEVY/GMC TRUCK,  
DODGE TRUCK

**HB-333** FMSI D0557 .776 [20]

FORD TRUCK

**HB-345** FMSI D0411 .815 [21]

FORD TRUCK

**HB-346** FMSI D0816 .713 [18]

FORD FOCUS

**HB-347** FMSI D0601 .689 [18]  
FMSI D0656

FORD, LINCOLN, MERCURY

**HB-334** FMSI D0655 .705 [18]  
.736 [19]

DODGE TRUCK, FORD TRUCK

**HB-335** FMSI D0777 .815 [21]

FORD TRUCK

**HB-336** FMSI D0450 .655 [17]

FORD TRUCK

**HB-348** 1.140 [29]

BREMBO

**HB-349** 1.180 [30]

ALCON, AP RACING

**HB-350** FMSI D0339 .496 [13]  
FMSI D0374  
FMSI D0564

ACURA, HONDA (REAR)



**HB-351** .620 [16]  
.778 [20]

BREMBO, TOYOTA ATLANTIC, WILWOOD

**HB-352** FMSI D0721 .665 [17]

SUBARU

**HB-353** FMSI D0690 .618 [16]

FORD, LINCOLN, MERCURY (REAR)

**HB-366** FMSI D0787 .681 [17]

ACURA, HONDA

**HB-367** FMSI D0383 .585 [15]  
FMSI D0471

CHRYSLER, DODGE, EAGLE, MITSUBISHI, SUBARU (REAR)

**HB-368** FMSI D0924 .665 [17]

HYUNDAI, KIA

**HB-354** FMSI D0836 .701 [18]  
FMSI D0840 .756 [19]

AUDI, VOLKSWAGEN

**HB-356** FMSI D0368 .654 [17]

CHEVY/GMC TRUCK

**HB-359** FMSI D0508 FMSI D0754 .543 [14]  
FMSI D0698 FMSI D0814  
FMSI D0714

BUICK, CADILLAC, CHEVY, OLDS, PONTIAC

**HB-369** .775 [20]  
.980 [25]  
1.018 [26]

BREMBO, WILWOOD

**HB-370** FMSI D0905 .559 [14]

NISSAN, INFINITI

**HB-372** FMSI D0858 .626 [16]

CHRYSLER, DODGE

**HB-360** FMSI D0699 FMSI D1075 .670 [17]  
FMSI D0818 FMSI D1224  
FMSI D0850

BUICK, CADILLAC, CHEVY, OLDS, PONTIAC

**HB-361** FMSI D0829 .622 [16]

ACURA RSX, HONDA S2000

**HB-362** FMSI D0548 .642 [16]

BMW, LAND ROVER (REAR)

**HB-373** FMSI D0844 .689 [18]  
FMSI D0856

BUICK, CHRYSLER, DODGE, JEEP

**HB-374** FMSI D0857 .700 [18]

CHRYSLER, DODGE

**HB-375** FMSI D0619 .669 [17]

LEXUS, TOYOTA

**HB-363** FMSI D0839 .689 [18]  
FMSI D0912

AUDI, VOLKSWAGEN

**HB-364** FMSI D0340 .587 [15]  
FMSI D0894 .642 [16]

AUDI, PEUGEOT, VOLKSWAGEN (REAR)

**HB-365** FMSI D0768 .728 [18]

VOLKSWAGEN

**HB-376** FMSI D0805 .665 [17]  
FMSI D0849

FORD, LINCOLN, JAGUAR

**HB-377** FMSI D0841 .760 [19]

CHRYSLER, DODGE

**HB-378** FMSI D0900 .565 [14]  
FMSI D1008 .626 [16]

NISSAN (REAR)



R.250 TYP.  
7 PLACES



BRAKE DIAGRAMS : PERFORMANCE BRAKING SOLUTIONS

PERFORMANCE BRAKING SOLUTIONS : BRAKE DIAGRAMS

**HB-379** FMSI D0551 .626 [16]

MAZDA

**HB-380** FMSI D0790 .700 [18]  
FMSI D0942

JEEP (FRONT)

**HB-381** FMSI D0791 .661 [17]

JEEP (REAR)

**HB-393** FMSI D0914 .665 [17]  
FMSI D0943  
FMSI D0958

HONDA

**HB-395** FMSI D0096 .580 [15]

AUDI, VOLKSWAGEN

**HB-396** FMSI D0215 .630 [16]

BUICK, CADILLAC, CHEVROLET, OLDS, PONTIAC

**HB-382** FMSI D0882 .657 [17]

BUICK, CHEVY, GMC, ISUZU, OLDS

**HB-383** FMSI D0883 .685 [17]

BUICK, CHEVY, GMC, ISUZU, OLDS

**HB-384** FMSI D0556 .587 [15]  
FMSI D0807

CHEVY, GEO, SUZUKI

**HB-397** FMSI D0256 .585 [15]

HONDA

**HB-398** FMSI D0269 .680 [17]

DODGE TRUCK

**HB-399** FMSI D0279 .630 [16]

BMW (REAR)

**HB-385** FMSI D0834 .640 [16]

CADILLAC, CHEVY, GMC

**HB-386** FMSI D0793 .669 [17]

ACURA, HONDA

**HB-387** FMSI D0888 .547 [14]

INFINITI

**HB-400** FMSI D0159 .630 [16]  
FMSI D0183  
FMSI D0190

BUICK, CADILLAC, CHEVROLET, OLDS, PONTIAC

**HB-401** FMSI D0325 .587 [15]  
FMSI D0352  
FMSI D0685

GEO, LEXUS, TOYOTA

**HB-402** FMSI D0333 .669 [17]

NISSAN, SUBARU

**HB-388** FMSI D0819 .756 [19]  
FMSI D0936

SAAB, SATURN

**HB-389** FMSI D0709 .583 [15]

CADILLAC, SAAB, SATURN (REAR)

**HB-390** FMSI D0506 .602 [15]  
FMSI D0673

BUICK, CHEVROLET, OLDS, PONTIAC

**HB-403** FMSI D0334 .587 [15]

ACURA, HONDA

**HB-404** FMSI D0349 .642 [16]

DODGE, MITSUBISHI

**HB-405** FMSI D0377 .543 [14]

BUICK, CHEVROLET, OLDS, PONTIAC



**HB-407** FMSI D0389 .602 [15]  
FMSI D0433

4.58 [116]

2.15 [55]

MAZDA, TOYOTA

**HB-408** FMSI D0470 .665 [17]

5.02 [128]

2.14 [54]

SUBARU

**HB-409** FMSI D0507 .661 [17]  
FMSI D0728

5.03 [128]

1.94 [49]

SATURN

**HB-419** FMSI D0643 .634 [16]

5.59 [142]

2.35 [60]

MAZDA

**HB-420** FMSI D0648 .724 [18]  
FMSI D0745

6.11 [155]

2.30 [58]

FORD, MERCURY

**HB-421** FMSI D0540 .622 [16]  
FMSI D0595

4.14 [105]

1.84 [47]

INFINITI, NISSAN

**HB-410** FMSI D0522 .721 [18]

6.50 [165]

2.45 [62]

CHRYSLER, DODGE, PLYMOUTH

**HB-411** FMSI D0521 .717 [18]  
FMSI D0524

6.50 [165]

2.16 [55] INNER

6.71 [170]

2.52 [64] OUTER

CHRYSLER, DODGE, PLYMOUTH

**HB-412** FMSI D0526 .665 [17]  
FMSI D0653

5.39 [137]

2.08 [52]

INFINITI, NISSAN

**HB-422** FMSI D0579 .610 [15]

5.42 [138]

2.31 [59]

ACURA, HONDA, ISUZU

**HB-423** FMSI D0720 .709 [18]

5.11 [130]

2.51 [64]

CADILLAC

**HB-424** FMSI D0722 .665 [17]

5.42 [138]

2.12 [54]

SUBARU

**HB-413** FMSI D5042 .690 [18]

5.08 [129]

2.51 [64]

VOLVO

**HB-414** FMSI D0576 .622 [16]

7.38 [187]

2.20 [56] INNER

7.43 [189]

2.24 [57] OUTER

MERCURY, NISSAN

**HB-415** FMSI D0587 .583 [15]

5.48 [139]

2.35 [60]

INFINITI

**HB-425** FMSI D0727 .661 [17]  
FMSI D0752

6.35 [161]

2.47 [63] INNER

6.35 [161]

2.28 [58] OUTER

CHEVROLET, OLDS, PONTIAC

**HB-427** FMSI D0773 .685 [17]

4.84 [123]

1.77 [45]

LEXUS, TOYOTA

**HB-428** FMSI D0806 .650 [17]  
FMSI D0944

4.40 [112]

1.95 [50]

DODGE, FORD, JAGUAR, LINCOLN

**HB-416** FMSI D0598 .689 [18]  
FMSI D0765

4.88 [124]

2.90 [74]

FORD, LINCOLN, MERCURY

**HB-417** FMSI D0610 .659 [17]

3.72 [94]

1.64 [42]

FORD, LINCOLN, MERCURY

**HB-418** FMSI D0621 .646 [16]  
FMSI D0948

5.38 [137]

2.26 [57]

ACURA, HONDA

**HB-429** FMSI D0862 .681 [17]

4.85 [123]

2.38 [60]

TOYOTA

**HB-430** FMSI D0886 .547 [14]

3.43 [87]

1.67 [42]

FORD FOCUS (REAR)

**HB-431** FMSI D0890 .606 [15]

4.84 [123]

2.30 [58]

MAZDA



**HB-432** FMSI D0929 .661 [17]

SAAB, SUBARU

**HB-433** FMSI D0931 .654 [17]  
FMSI D0997

CHRYSLER, FORD, LINCOLN, MERCURY

**HB-434** FMSI D0770 .543 [14]

SUBARU

**HB-444** FMSI D0939 .685 [17]

BMW, MINI COOPER (FRONT)

**HB-445** FMSI D0940 .610 [15]  
FMSI D1060

BMW, MINI COOPER (REAR)

**HB-446** FMSI D0945 .725 [18]

JEEP

**HB-435** FMSI D0866 .622 [16]

CHRYSLER, DODGE, MITSUBISHI

**HB-436** FMSI D0892 .535 [14]

MAZDA PROTEGE (REAR)

**HB-437** FMSI D0481 .585 [15]  
FMSI D0588

INFINITI (REAR)

**HB-447** FMSI D0959 .667 [17]

HONDA

**HB-448** FMSI D0969 .610 [15]

INFINITI, NISSAN

**HB-449** FMSI D0970 .679 [17]

FORD

**HB-438** FMSI D0904 .606 [15]

MITSUBISHI LANCER

**HB-439** FMSI D0921 .555 [14]  
FMSI D1110

CADILLAC CTS, STS (FRONT)

**HB-440** FMSI D0922 .606 [15]

CADILLAC CTS, STS (REAR)

**HB-450** FMSI D0999 .555 [14]

PONTIAC GRAND PRIX (REAR)

**HB-451** FMSI D1000 .668 [17]

PONTIAC GRAND PRIX (FRONT)

**HB-452** FMSI D1004 .545 [14]

SAAB, SUBARU (REAR)

**HB-441** FMSI D0923 .661 [17]

PONTIAC, TOYOTA

**HB-442** FMSI D0891 .496 [13]

MAZDA MIATA (REAR)

**HB-443** FMSI D0932 .614 [16]

FORD, LINCOLN, MERCURY

**HB-453** FMSI D1001 .585 [15]  
FMSI D1016  
FMSI D1050

ALFA ROMEO, CADILLAC, MITSUBISHI, SUBARU

**HB-454** FMSI D0992 .715 [18]

LAND ROVER

**HB-455** FMSI D1011 .785 [20]  
FMSI D1083

FORD TRUCK



R.250 TYP.  
7 PLACES



BRAKE DIAGRAMS : PERFORMANCE BRAKING SOLUTIONS

PERFORMANCE BRAKING SOLUTIONS : BRAKE DIAGRAMS

**HB-456** FMSI D1012 .705 [18]

6.26 [159]  
1.97 [50] INNER  
6.26 [159]  
1.97 [50] OUTER

FORD TRUCK

**HB-457** FMSI D1037 .605 [15]

4.17 [106]  
1.40 [36] INNER  
3.37 [86]  
1.58 [40] OUTER

MITSUBISHI

**HB-458** FMSI D1042 .642 [16]

4.80 [122]  
2.24 [57]

BMW

**HB-468** FMSI D1002 .492 [12]

4.01 [102]  
1.67 [42]

MAZDA

**HB-469** FMSI D0676 .705 [18]

5.70 [145]  
2.60 [66]

LAND ROVER DISCOVERY

**HB-470** FMSI D1009 .643 [16]

5.44 [138]  
2.44 [62]

MAZDA RX8

**HB-459** FMSI D0957 .700 [18]

5.19 [132]  
2.34 [59]

MAZDA 6

**HB-460** FMSI D1043 .580 [15]

7.23 [184]  
2.52 [64]

PONTIAC GTO (FRONT)

**HB-461** FMSI D0864 .640 [16]  
FMSI D1013 .640 [16]  
FMSI D0903 .646 [16]  
FMSI D0955 .646 [16]

5.86 [149]  
2.24 [57]

HYUNDAI, KIA

**HB-471** FMSI D0011 .510 [13]

5.08 [129]  
2.16 [55]

DODGE, PLYMOUTH

**HB-472** FMSI D0913 .650 [17]  
FMSI D0833 .650 [17]

6.06 [154]  
2.08 [53]

CHEVY, FORD, MAZDA, MERCURY, SATURN

**HB-473** FMSI D0843 .752 [19]

6.15 [156]  
2.64 [67]

FORD, MAZDA

**HB-462** FMSI D0934 .827 [21]

8.27 [210]  
2.20 [56] INNER  
8.27 [210]  
2.53 [64] OUTER

FORD, LINCOLN

**HB-463** FMSI D0935 .787 [20]

5.49 [139]  
2.08 [53]

FORD, LINCOLN

**HB-464** FMSI D0946 .764 [19]

6.11 [155]  
2.39 [61]

BMW

**HB-474** FMSI D0908 .681 [17]

5.14 [131]  
2.30 [58]

TOYOTA

**HB-475** FMSI D0266 .642 [16]  
FMSI D0441 .642 [16]

5.13 [130]  
1.94 [49]

NISSAN, NISSAN TRUCK

**HB-476** FMSI D0962 .707 [18]

6.75 [171]  
2.14 [54]

DODGE TRUCK

**HB-465** FMSI D0947 .764 [19]

6.09 [155]  
2.39 [61]

BMW 525i

**HB-466** FMSI D1003 .780 [20]

6.11 [155]  
2.95 [75] INNER  
6.11 [155]  
2.95 [75] INNER

VOLVO

**HB-467** FMSI D1019 .540 [14]

7.11 [181]  
2.33 [59]

CADILLAC SRX (FRONT)

**HB-477** FMSI D0606 .610 [15]

4.58 [116]  
1.73 [44]

LEXUS, TOYOTA (REAR)

**HB-478** FMSI D0973 .605 [15]  
FMSI D1095 .605 [15]

4.83 [123]  
1.73 [44]

MAZDA, VOLVO (REAR)

**HB-483** FMSI D0991 .635 [16]

7.49 [190]  
4.01 [102]

PORSCHE GT3



**HB-484** FMSI D1081 .670 [17]

FORD MUSTANG (FRONT)

**HB-485** FMSI D1082 .656 [17]

FORD MUSTANG (REAR)

**HB-486** 1.170 [30]

BREMBO

**HB-496** FMSI D0975 .640 [16]

CADILLAC, CHEVY TRUCK, GMC TRUCK (REAR)

**HB-497** FMSI D0682 .776 [20]

AUDI, BMW, CHRYSLER, MERCEDES, VOLKSWAGEN

**HB-498** FMSI D0869 .772 [20]

CHRYSLER DODGE

**HB-487** FMSI D0859 .433 [11]  
FMSI D0821

DODGE TRUCK

**HB-488** FMSI D0830 .629 [16]

NISSAN TRUCK

**HB-489** FMSI D0755 .630 [16]

MAZDA 626

**HB-499** FMSI D0771 .610 [15]

LEXUS (REAR)

**HB-500** FMSI D0837 .645 [16]

VOLVO S40

**HB-501** FMSI D0977 .625 [16]  
FMSI D1014

PORSCHE CAYENNE

**HB-490** FMSI D0976 .666 [17]

LEXUS, TOYOTA

**HB-491** FMSI D0794 .693 [18]

\*inner pad displayed only  
VOLVO

**HB-492** FMSI D0618 .732 [19]

VOLVO

**HB-502** FMSI D0978 .606 [15]

PORSCHE, VOLKSWAGEN

**HB-503** FMSI D0963 .790 [20]

DODGE DAKOTA (REAR)

**HB-504** FMSI D0872 .740 [19]

MERCEDES BENZ

**HB-493** FMSI D0822 .650 [17]  
FMSI D0990

SCION, TOYOTA

**HB-494** FMSI D0974 .670 [17]

CADILLAC, CHEVY TRUCK, GMC TRUCK (REAR)

**HB-495** FMSI D0740 .756 [19]

\*inner pad displayed only  
MERCEDES BENZ

**HB-505** FMSI D0760 .654 [17]

MERCEDES BENZ

**HB-506** FMSI D0865 .610 [15]

ACURA, HONDA (REAR)

**HB-507** FMSI D1056 .711 [18]

CHRYSLER, DODGE



R.250 TYP.  
7 PLACES



BRAKE DIAGRAMS : PERFORMANCE BRAKING SOLUTIONS

PERFORMANCE BRAKING SOLUTIONS : BRAKE DIAGRAMS

**HB-508** FMSI D1057 .586 [15]  
.675 [17]

CHRYSLER, DODGE (REAR)

**HB-509** FMSI D1058 .678 [17]

CHRYSLER, DODGE

**HB-510** FMSI D0661 .580 [15]

FORD MERCURY (REAR)

**HB-520** FMSI D0881 .575 [15]

FORD EXPLORER (REAR)

**HB-521** .800 [20]

WILWOOD SUPERLITE BRIDGEBOLT

**HB-522** FMSI D1179 .565 [14]

MIATA MX-5 (FRONT)

**HB-511** FMSI D1010 .790 [20]

GMC TRUCK

**HB-512** FMSI D1007 .605 [15]

VOLKSWAGEN TOUAREG

**HB-513** FMSI D0967 .610 [15]

DODGE TRUCK (REAR)

**HB-523** FMSI D1180 .539 [14]

MIATA MX-5 (REAR)

**HB-524** FMSI D1028 .740 [19]

GM PASSENGER (FRONT)

**HB-525** FMSI D1033 .540 [14]

GM PASSENGER (REAR)

**HB-514** FMSI D0898 .610 [15]

DODGE TRUCK (REAR)

**HB-515** FMSI D0915 .760 [19]

AUDI, VOLVO

**HB-516** FMSI D0838 .626 [16]

VOLVO (REAR)

**HB-526** FMSI D1119 .665 [17]

HUMMER H3 (FRONT)

**HB-527** FMSI D1120 .604 [15]

HUMMER H3 (REAR)

**HB-528** FMSI D1069 .811 [21]

FORD TRUCK (FRONT)

**HB-517** FMSI D0956 .690 [18]

CHEVROLET, PONTIAC, SATURN

**HB-518** FMSI D0683 .642 [16]

BMW (REAR)

**HB-519** FMSI D1044 .682 [17]

FORD, MAZDA, VOLVO

**HB-529** FMSI D1068 .710 [18]

FORD TRUCK (REAR)

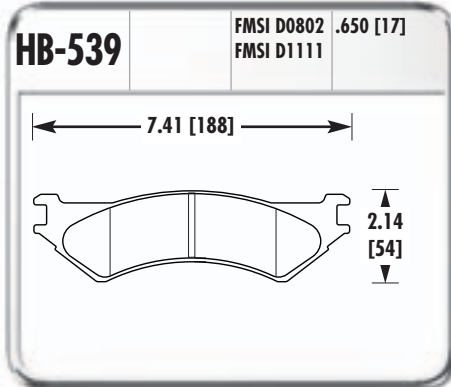
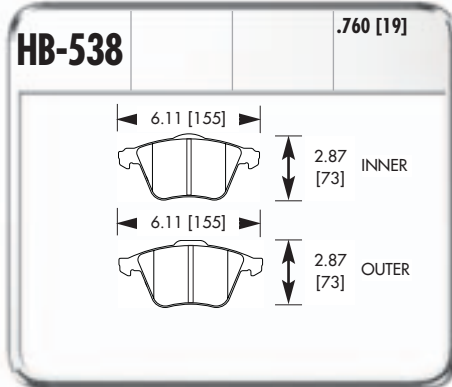
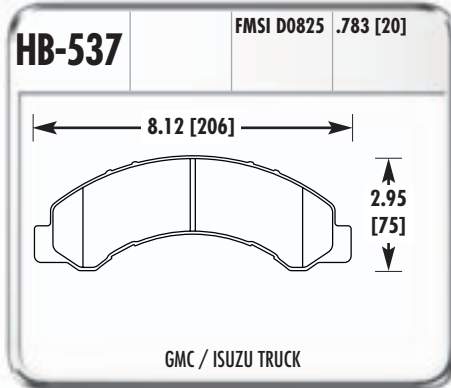
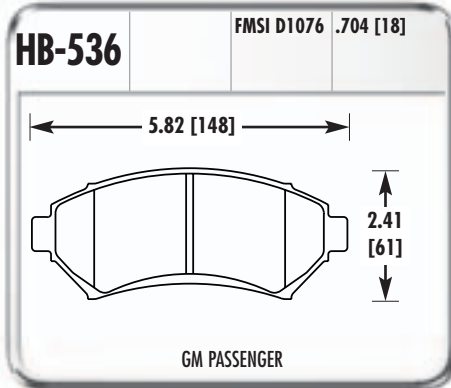
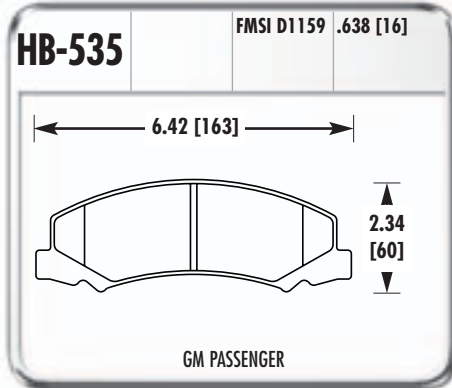
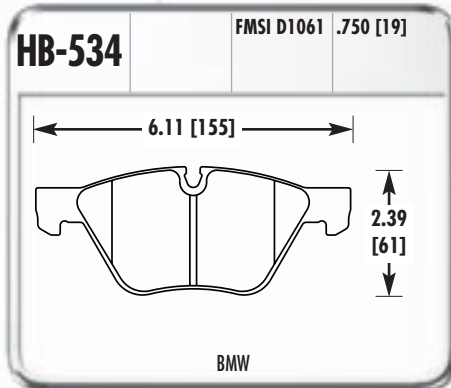
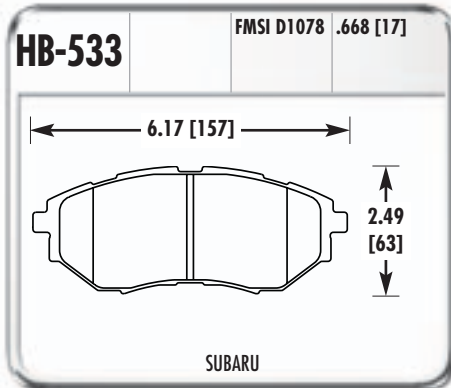
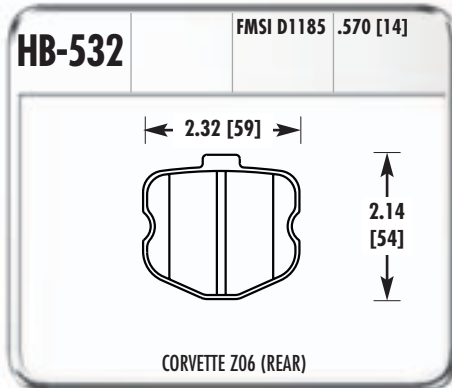
**HB-530** FMSI D1049 .570 [14]

ACURA

**HB-531** FMSI D1185 .570 [14]

CORVETTE Z06 (FRONT)





NOTES

---

---

---

---

---

---

---

---

---

---

---

---

---

---

---

---

---

---

---

---

---

---

---

---

For more information on our full line of brake compounds visit  
[www.HawkPerformance.com](http://www.HawkPerformance.com)

