

**INSTALLATION
INSTRUCTIONS**

Accessory

SECURITY SYSTEM

Application

**1994 - 95 CIVIC
2/3/4-DOOR**

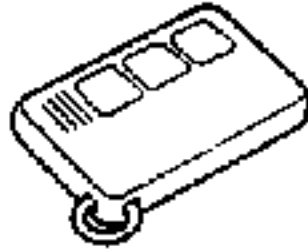
Publications No.

All 15988-16620

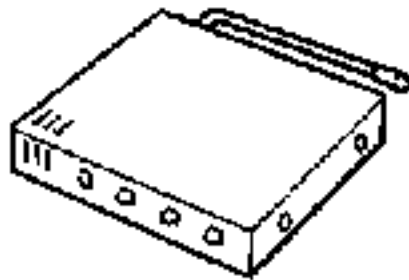
Issue Date

AUG 1994**PARTS LIST****Security Unit****P/N: 08E51-SV4-100**

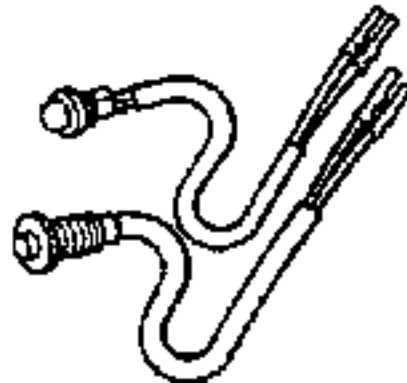
Transmitter



Control unit



LED



Disarm switch

LED push nut



2-Pin connector



Label



3-Pin connector



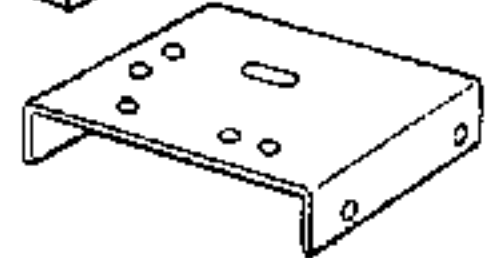
Nut



Washer



Owner's Manual

**Security Attachment Kit****P/N: 08E55-SV4-100**Security system
wire harnessControl unit
bracket

4 Flange bolts



2 Washers



Spacer



3 Grommets

2 Self-tapping screws
(5 x 16 mm)

Self-tapping screw (5 x 20 mm)



2 Washer-screws (5 x 16 mm)



Washer-screw (5 x 20 mm)



3 Special nuts



3 Cushion tapes



8 Wire ties



TOOLS AND SUPPLIES REQUIRED

#2 Phillips screwdriver

Drill

5.5 mm and 9.5 mm Drill bits

Tape measure

10 mm and 14 mm Sockets

10 mm, 12 mm, and 16 mm Combination wrenches

#2 Stubby Phillips screwdriver

Diagonal cutters

Utility knife

Torque wrench

Ratchet

Eye protection (face shield, safety goggles, etc.)

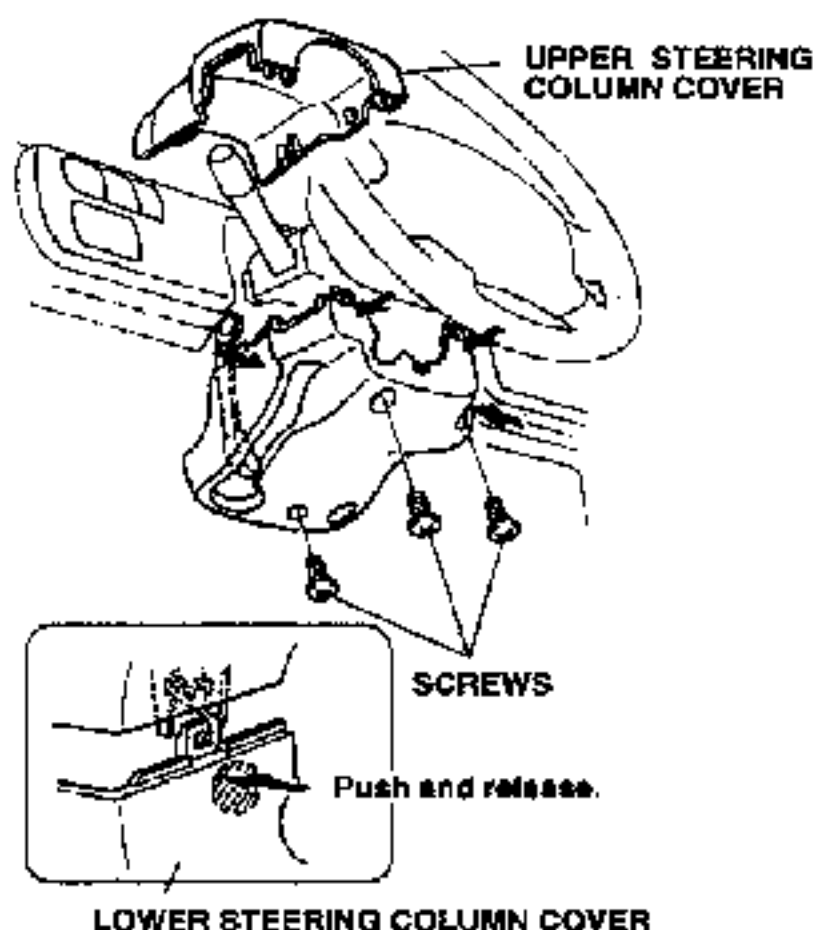
INSTALLATION

Before You Begin:

- Write down the station presets; the radio memory will be erased when you disconnect the battery.
- If the radio has a coded theft protection circuit, be sure you have the anti-theft code number before you disconnect the battery.
- The Security System Owner's Manual should be placed in the glove compartment for future reference.

LED Installation

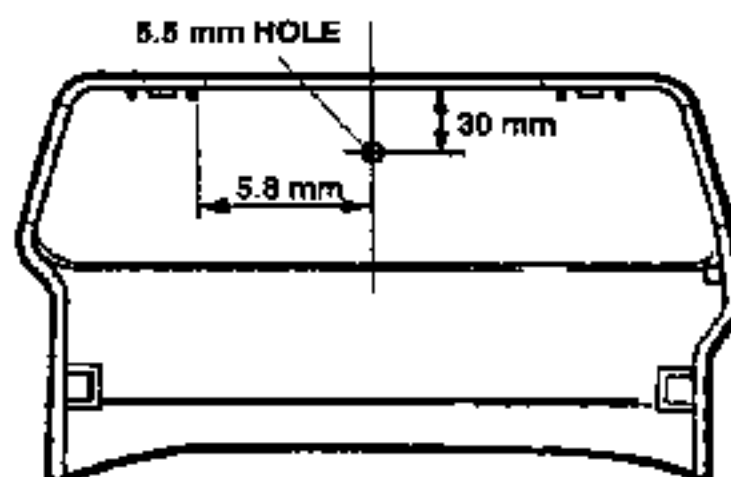
1. Disconnect the negative cable from the battery.
2. Remove the upper and lower steering column covers (three screws).



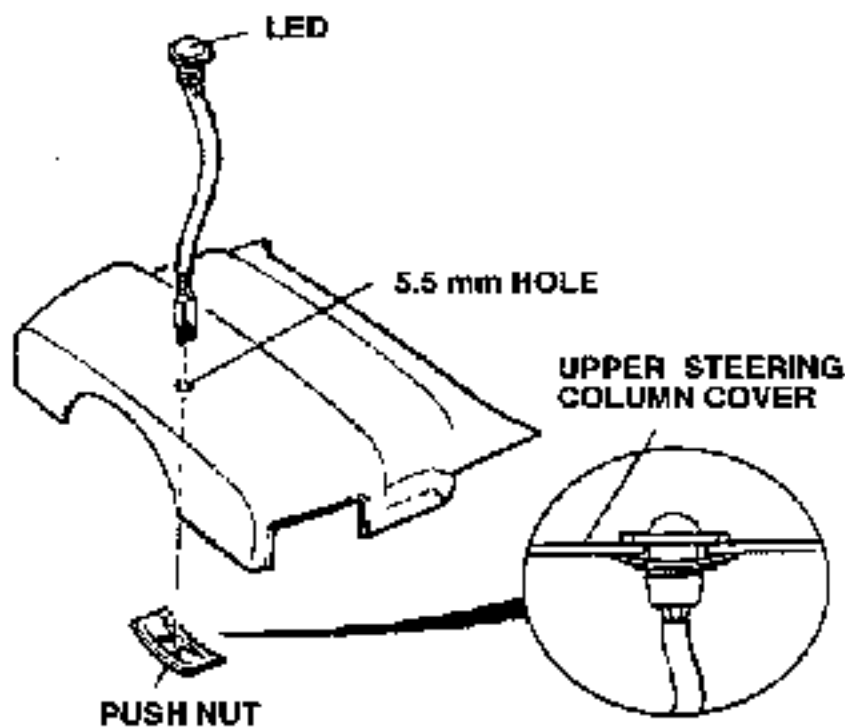
⚠ CAUTION

To prevent eye injury from debris, wear eye protection while drilling.

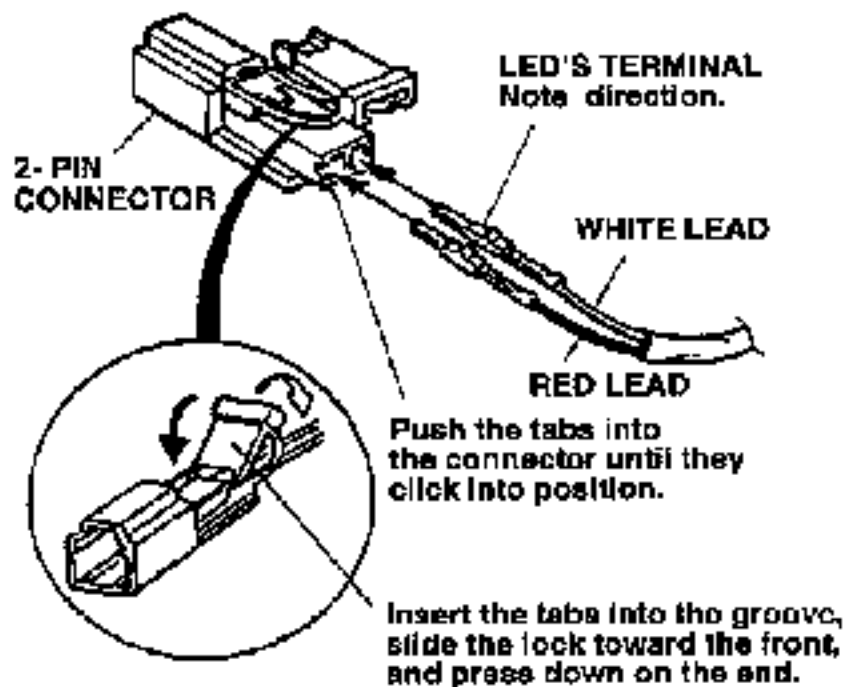
3. Using a felt tip pen, measure and mark the steering column upper cover. Lightly center-punch the mark and drill a 5.5 mm hole through the center-punched mark.



4. Route the terminal ends of the LED down through the hole you made, and secure the LED with the push nut.

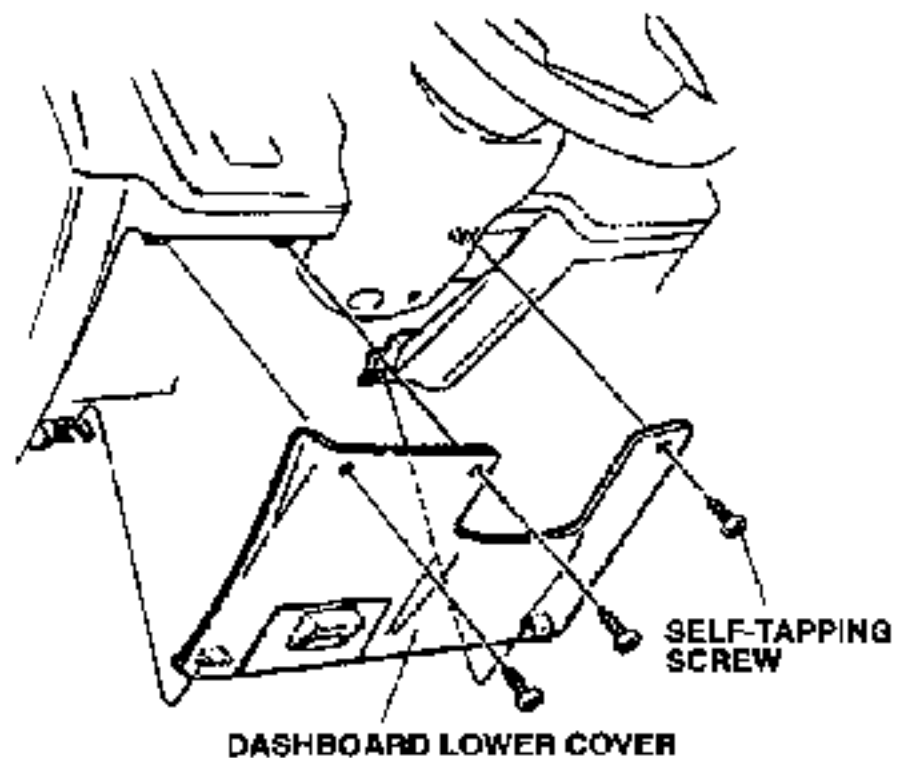


5. Firmly push the LED terminals into the 2-pin connector until they click into position. Pull gently on the wires to verify that they are locked in the connector. Make sure the terminals are positioned properly, then lock the connector.



Disarm Switch Installation

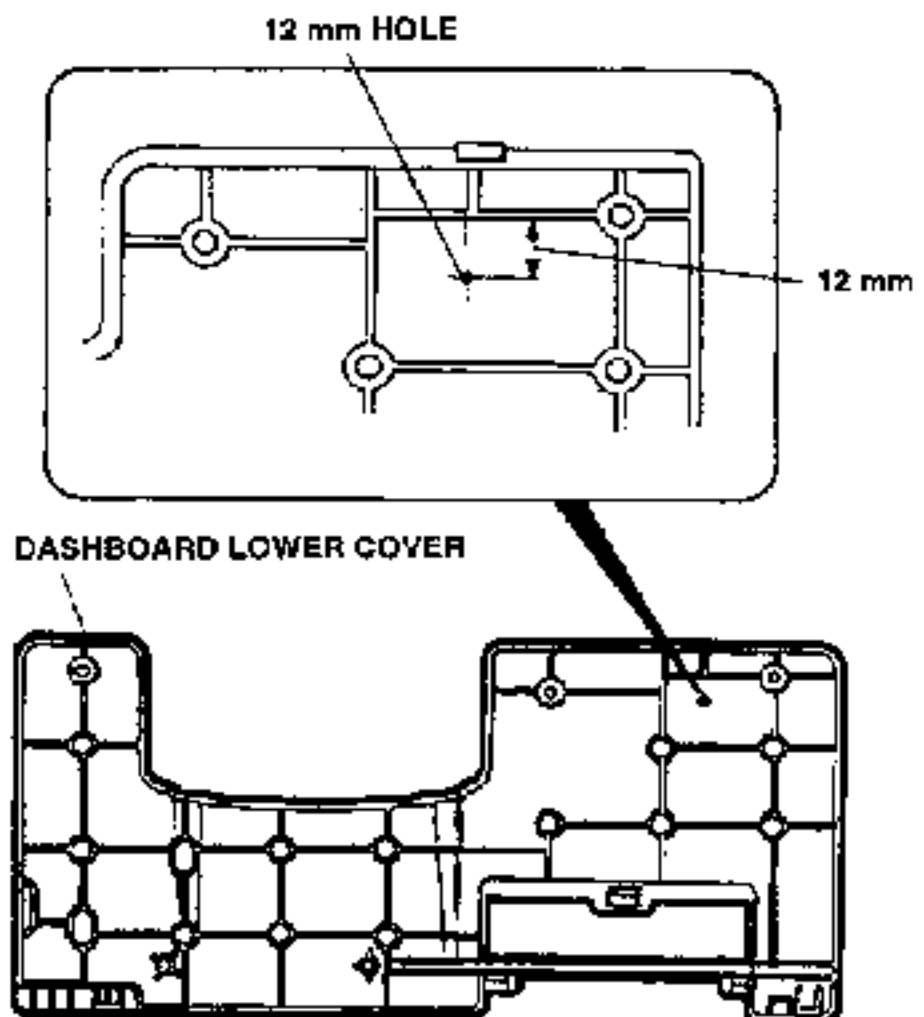
6. Remove the dashboard lower cover (three self-tapping screws, two clips).



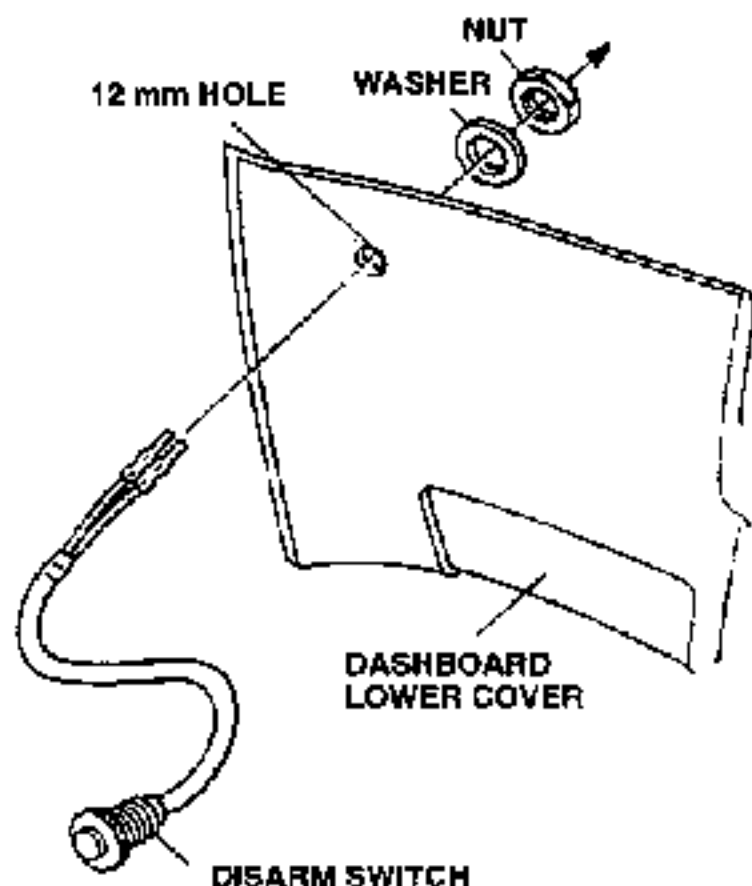
⚠ CAUTION

To prevent eye injury from debris, wear eye protection while drilling.

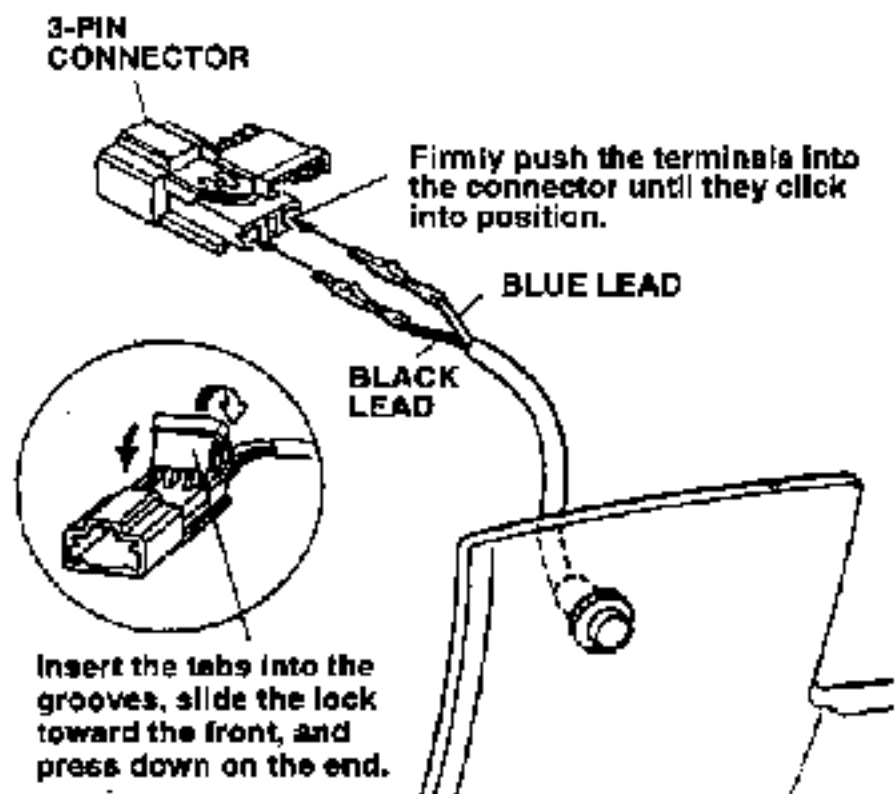
7. Mark the dashboard lower cover in the area shown. Lightly center-punch the mark, and drill a 12 mm hole through the center-punched mark.



8. Route the terminal ends of the disarm switch harness through the 12 mm hole you just drilled in the dashboard lower cover. Secure the disarm switch on the dashboard lower cover using the nut and washer provided. Tighten the nut securely.



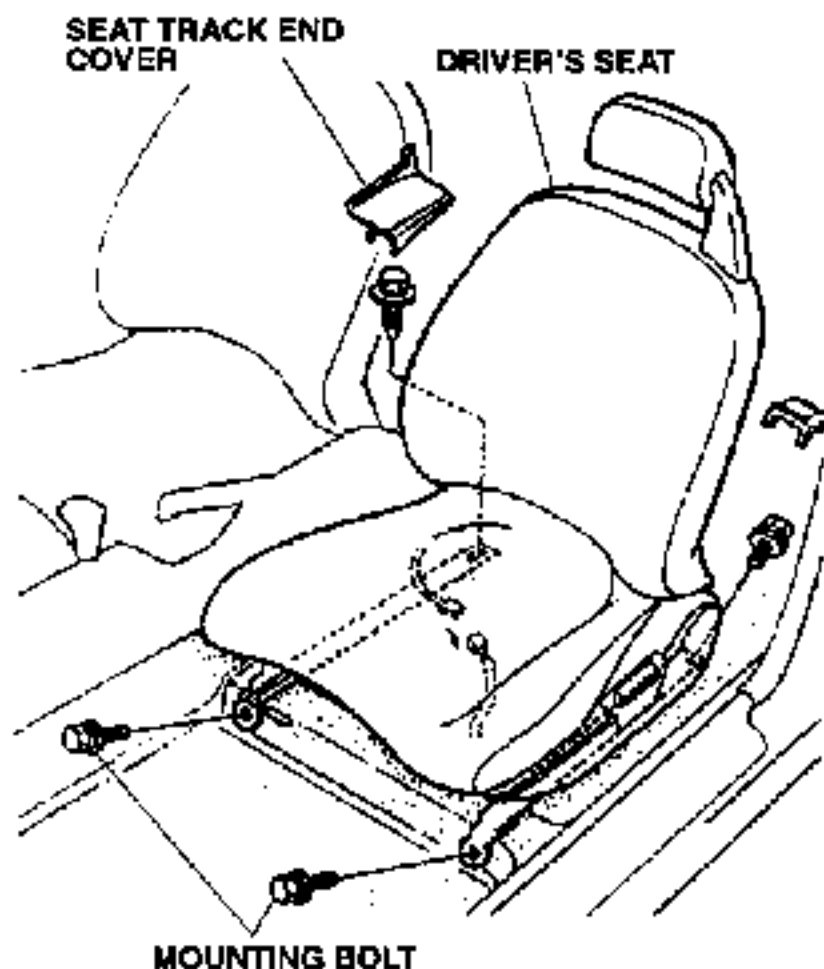
9. Firmly push the terminals of the disarm switch into the 3-pin connector (provided) until they click into position. Pull gently on the wires to verify that they are locked in the connector. Make sure that the terminals are positioned properly, then lock the connector.



Control Unit Installation

10. Remove the driver's seat:

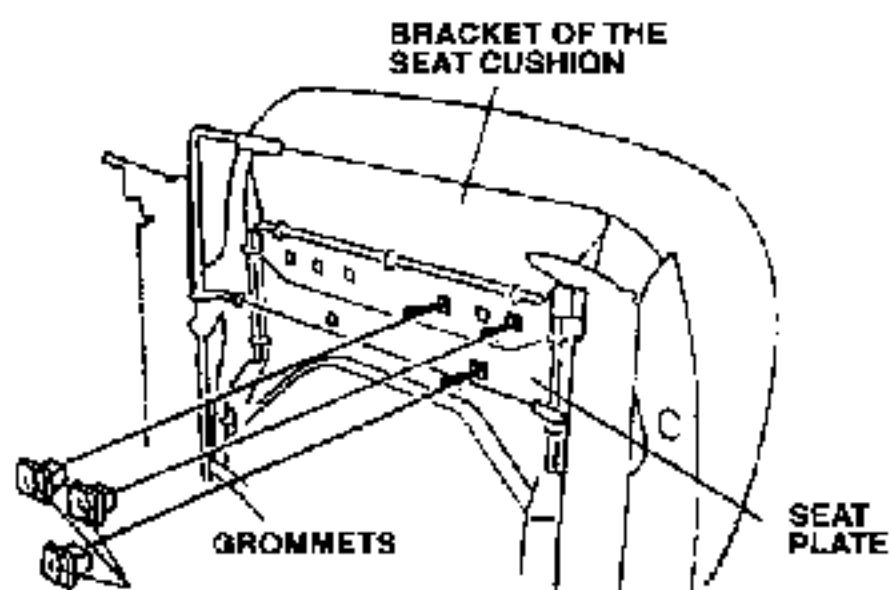
- Slide the driver's seat toward the rear completely, and remove the two front seat track mounting bolts.
- With the seat-back tilted forward, slide the driver's seat toward the front and remove the two seat track end covers and rear seat track mounting bolts.
- Unplug the connectors under the seat cushion, and disconnect the harness clip from the seat; then raise the front of the seat cushion.



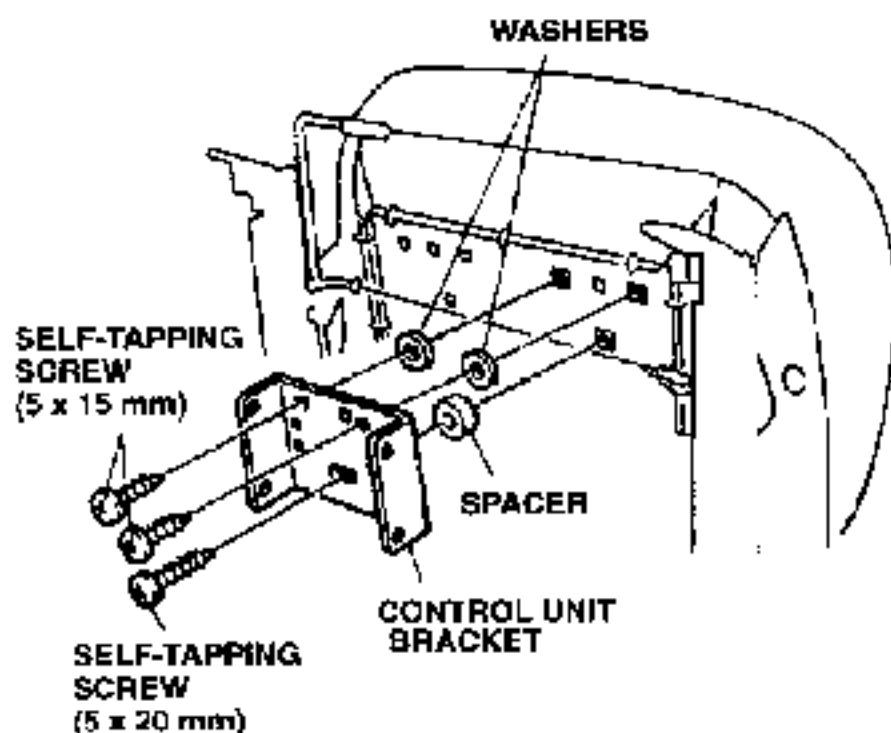
11. Attach the control unit bracket to the seat.

With three square holes in the seat plate:

- Press the plastic grommets included in the kit into the square holes in the area shown.

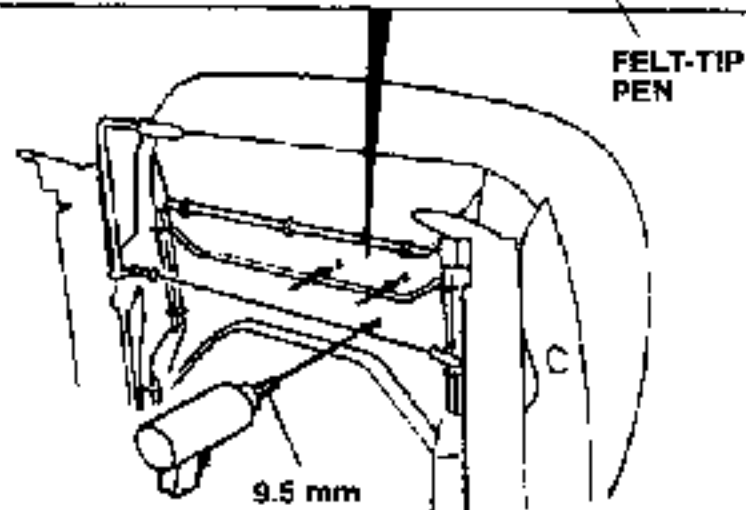
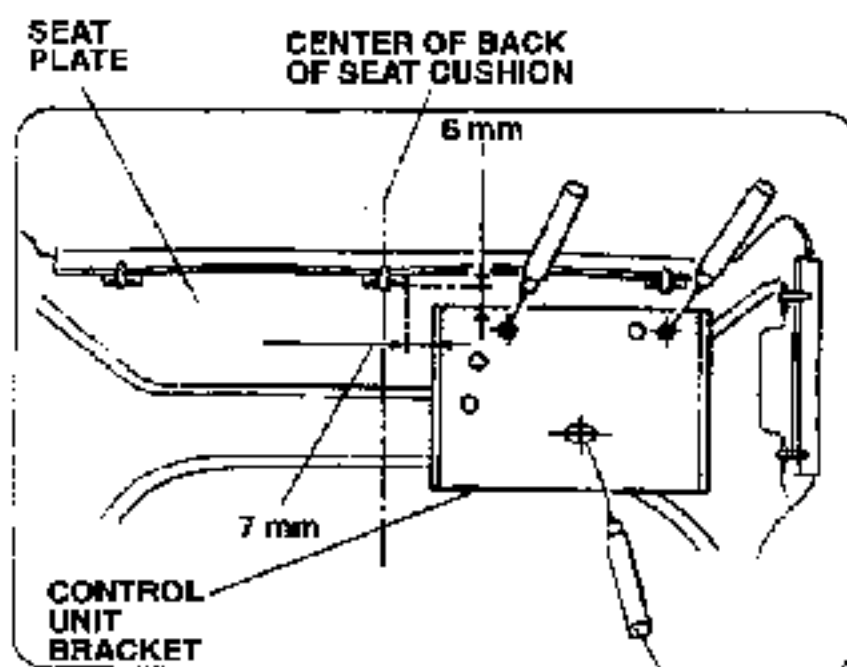


- Position the control unit bracket over the grommets with the spacer and two washers placed between the bracket and grommet as shown. Install the one 5 x 20 mm and two 5 x 16 mm self-tapping screws and tighten securely.

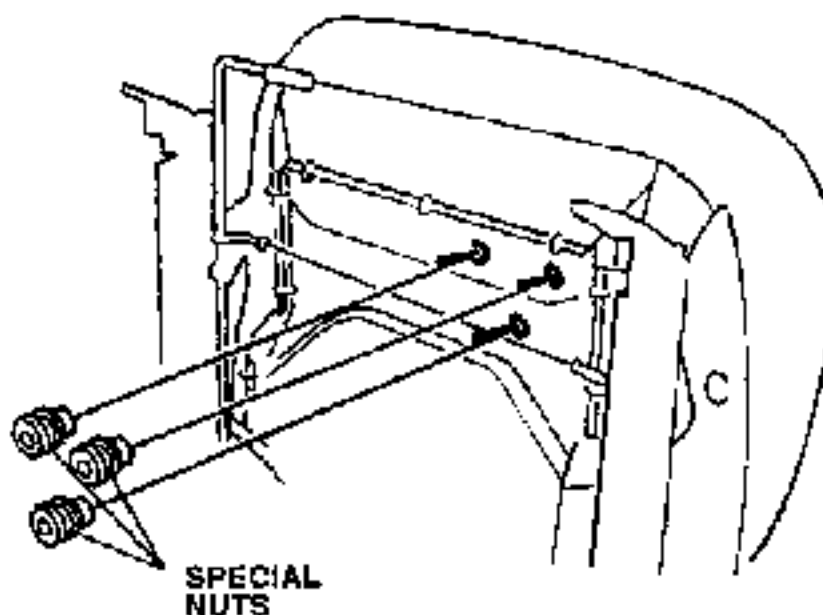


Without holes in the seat plate:

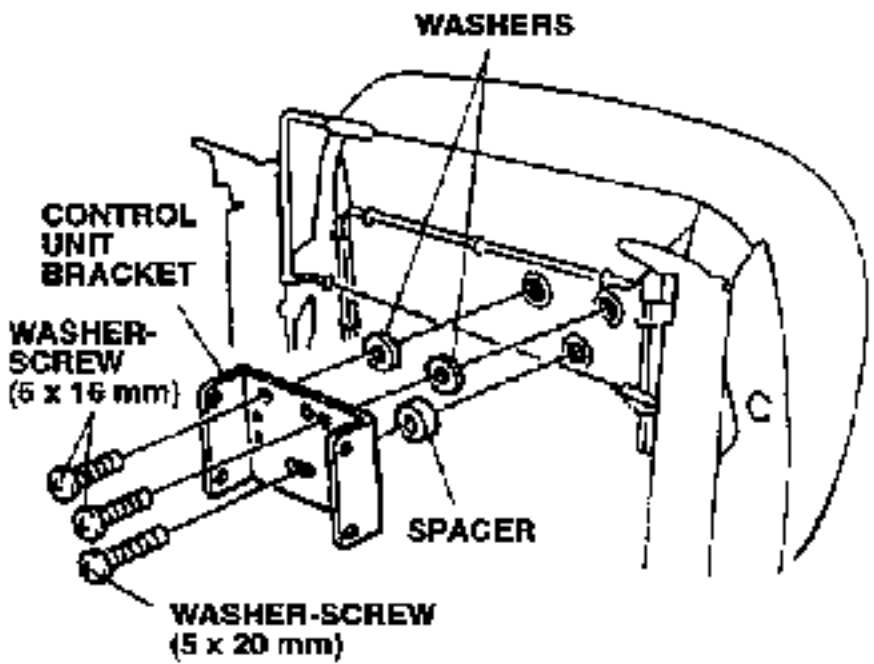
- Position the control unit bracket on the bottom of the seat in the area shown.
- Mark the bottom of the seat through the holes in the control unit bracket.
- Lightly center-punch the mark, and drill a 9.5 mm hole in the seat plate.



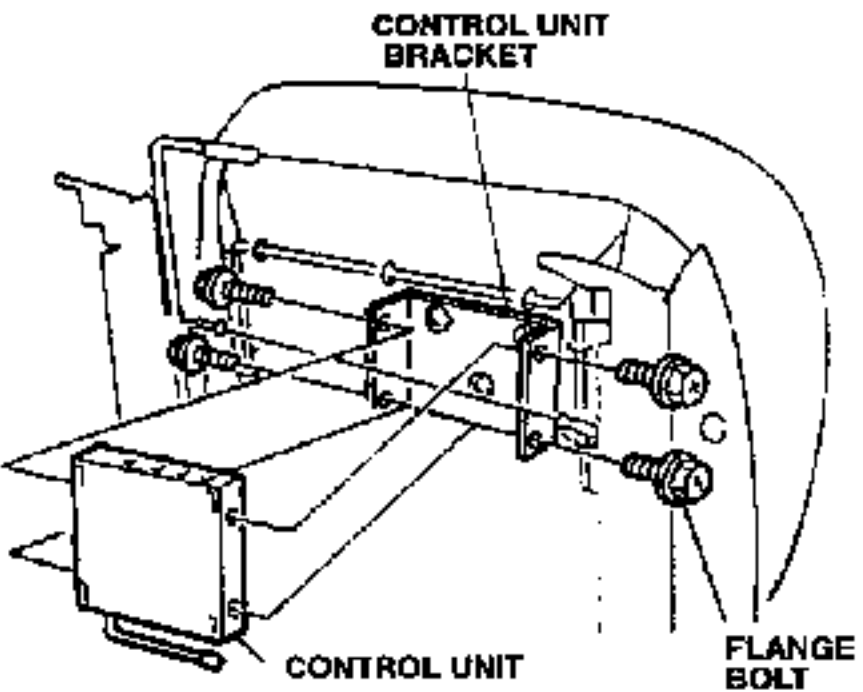
- Press the special nuts (provided) into the holes you drilled.



- Position the control unit bracket over the special nuts with the spacer and two washers placed between the bracket and special nuts. Install the one 5 x 20 mm and two 5 x 16 mm washer-screws and tighten securely.

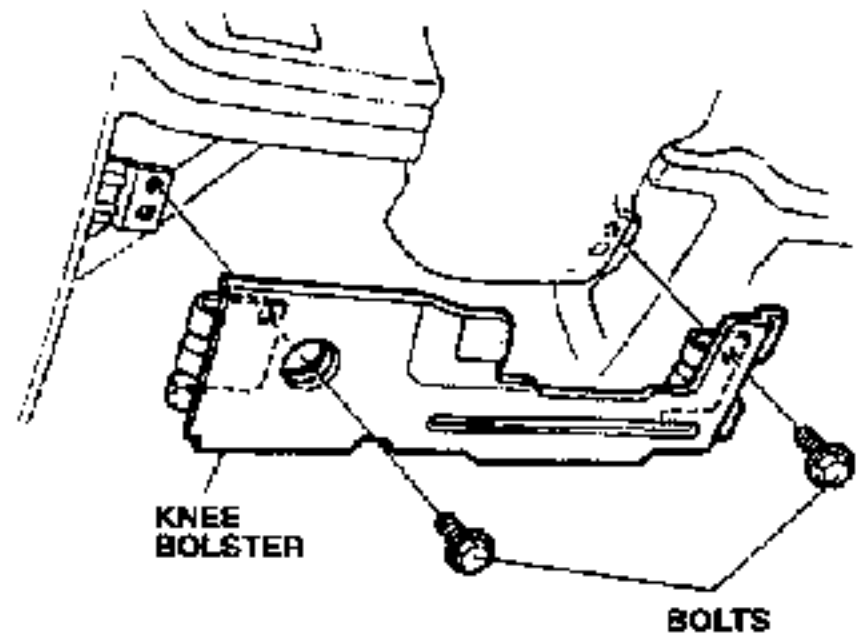


- Position the control unit on the bracket in the direction shown, and install the four flange bolts provided. Tighten securely.

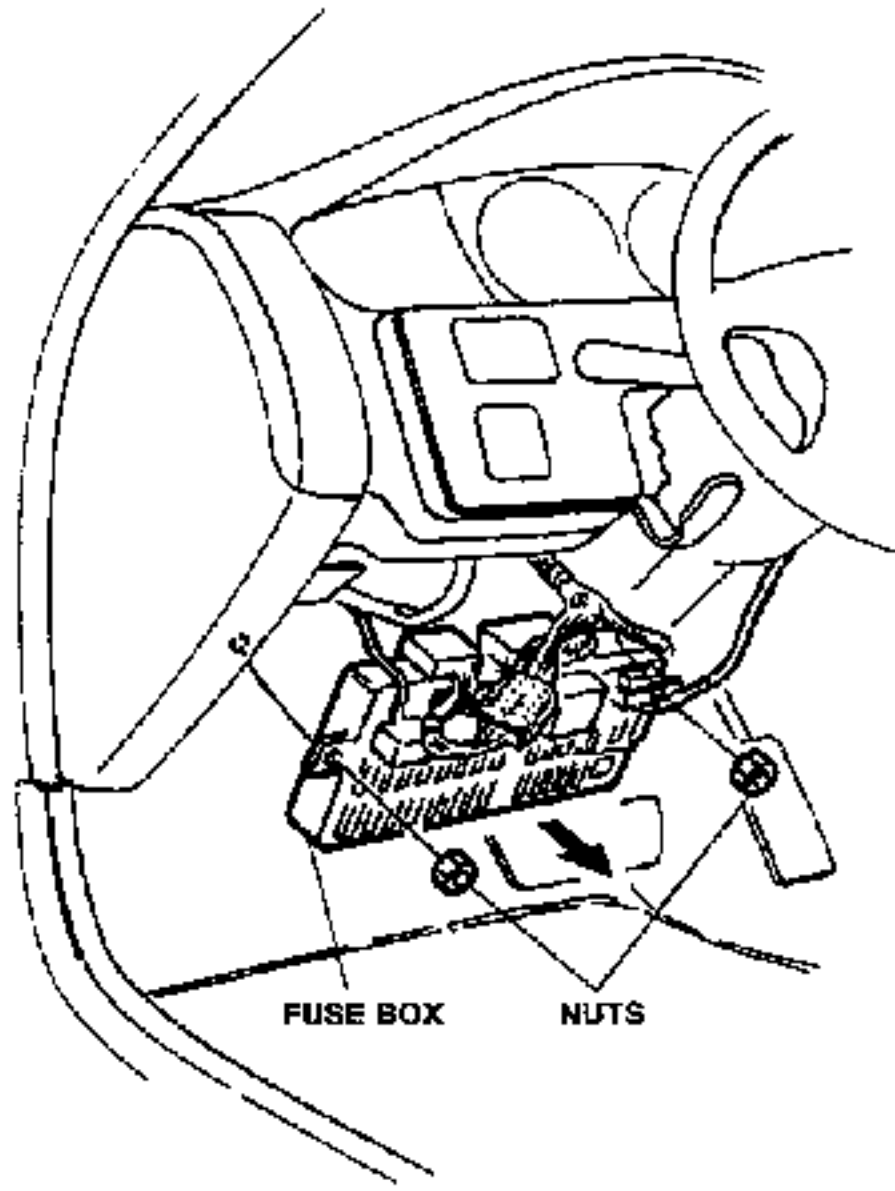


Security System Wire Harness Installation

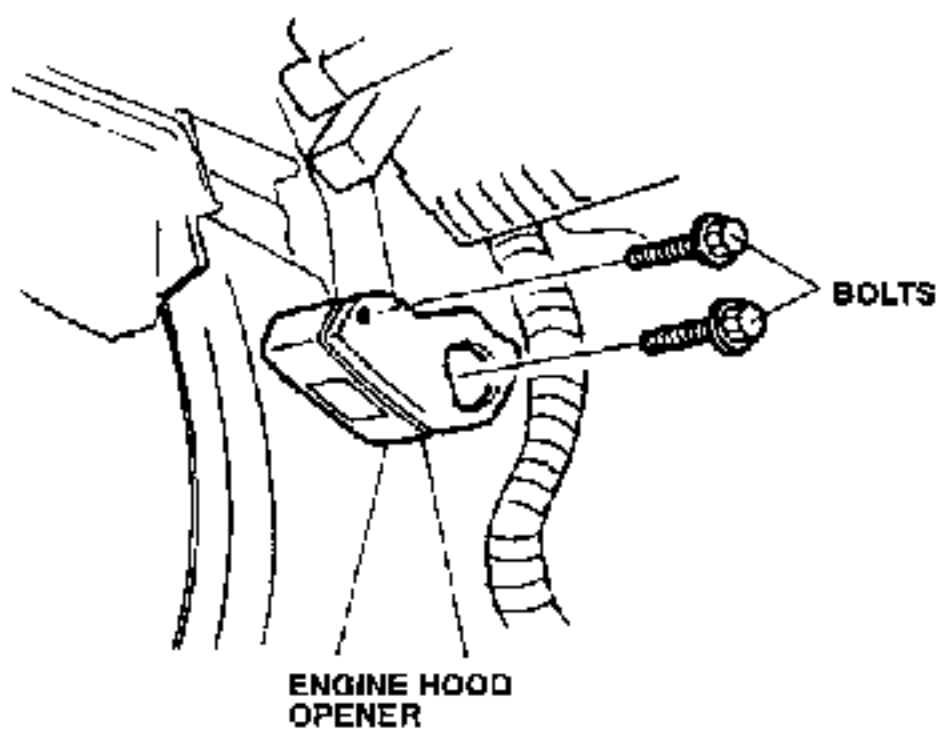
- Remove the knee bolster (two bolts).



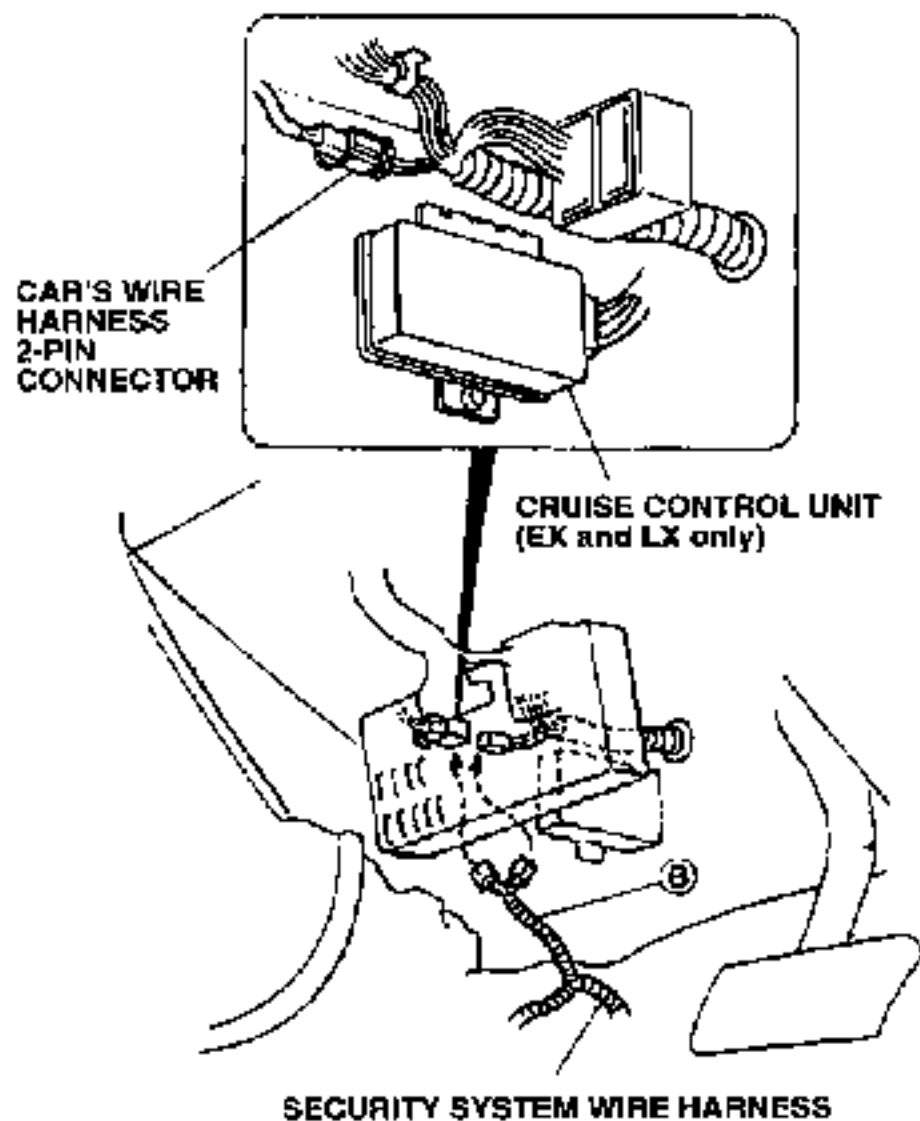
- Remove the fuse box (two nuts and pull).



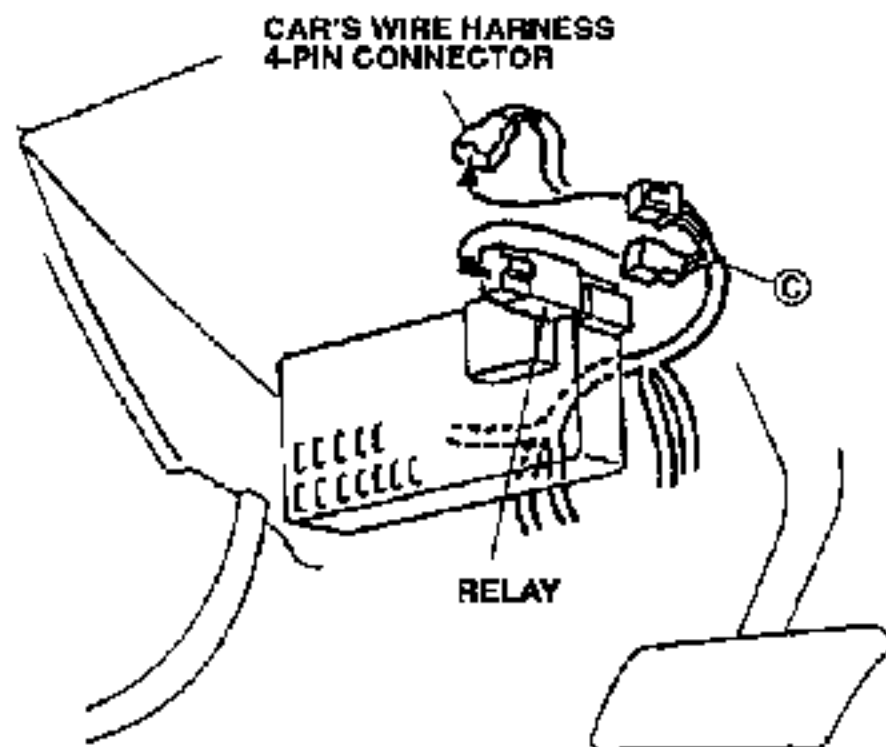
15. Remove the engine hood opener (two bolts).



16. Locate the car's 2-pin connectors behind the fuse box, near the cruise control unit (EX and LX). Disconnect the connectors and connect the 2-pin connectors (marked B) of the security system wire harness between them.



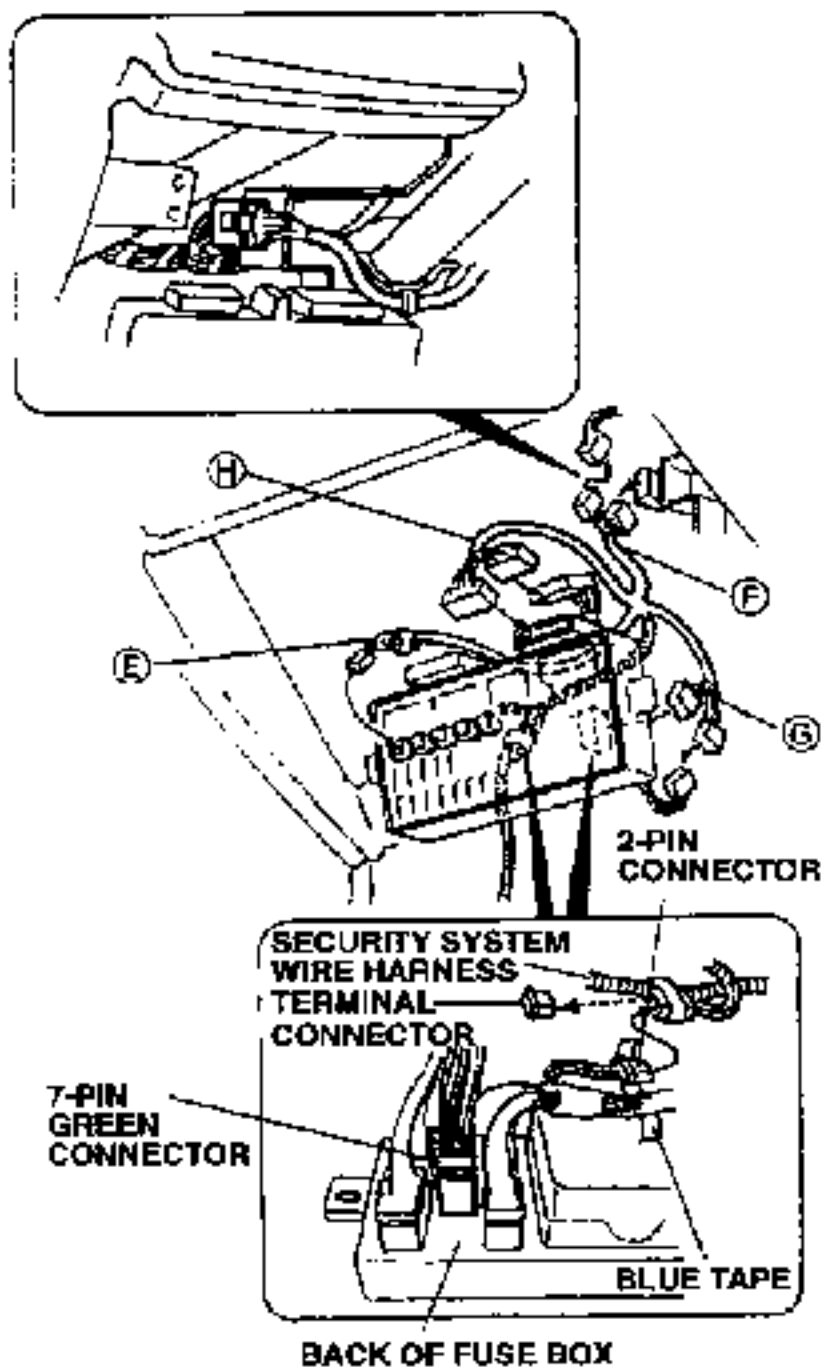
17. Unplug the car's 4-pin connector from the relay above the right side of the fuse box. Route the security system wire harness marked C up behind the fuse box and connect the 4-pin connector (marked C) of the security system wire harness in between.



18. Disconnect the car's 7-pin connectors (brown) plugged into the back of the fuse box. Connect the 7-pin connectors (brown; marked F) of the security system wire harness in between the car's 7-pin connectors.

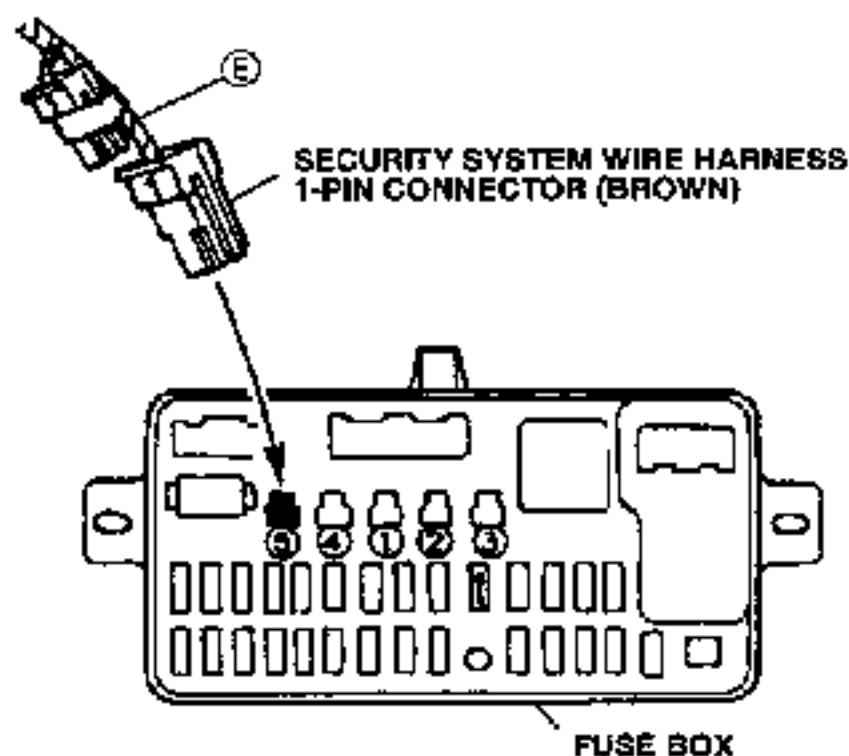
19. Behind the fuse box, unplug the car's 7-pin connector (green), and connect the 7-pin connectors (green; marked G) of the security system wire harness in between.

20. If the car you are working on is equipped with power door locks, locate the 2-pin connector blue-taped to the car's wire harness behind the fuse box. Remove the blue tape to free the connector. Remove the dummy connector; then plug the car's 2-pin connector into the 2-pin connector of the security system wire harness.

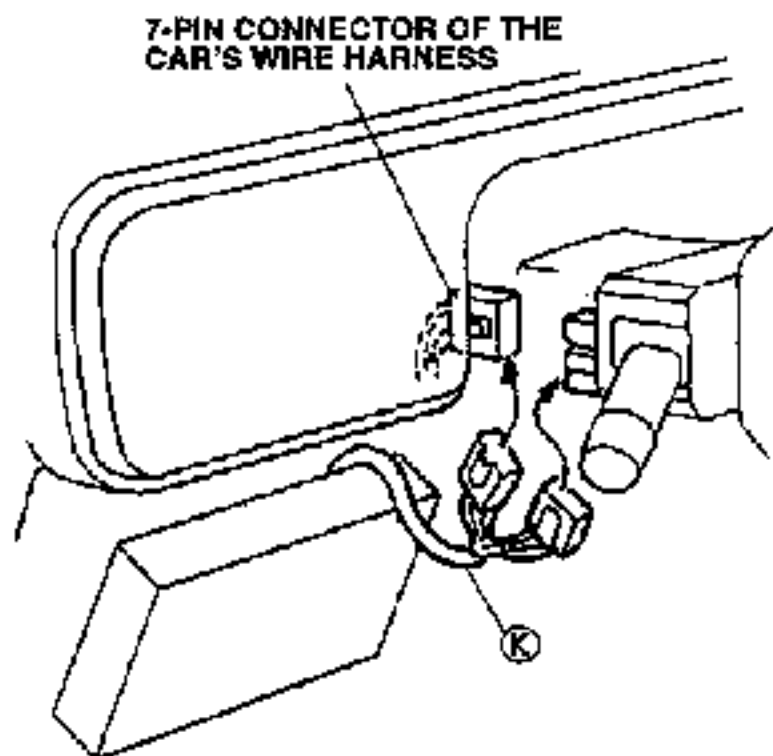


21. Disconnect the car's 12-pin connectors (blue) above the fuse box and connect the 12-pin connectors (blue; marked H) of the security system wire harness in between.

22. Plug the 1-pin connector (brown; marked E) of the security system wire harness into the No. 5 slot of the fuse box.

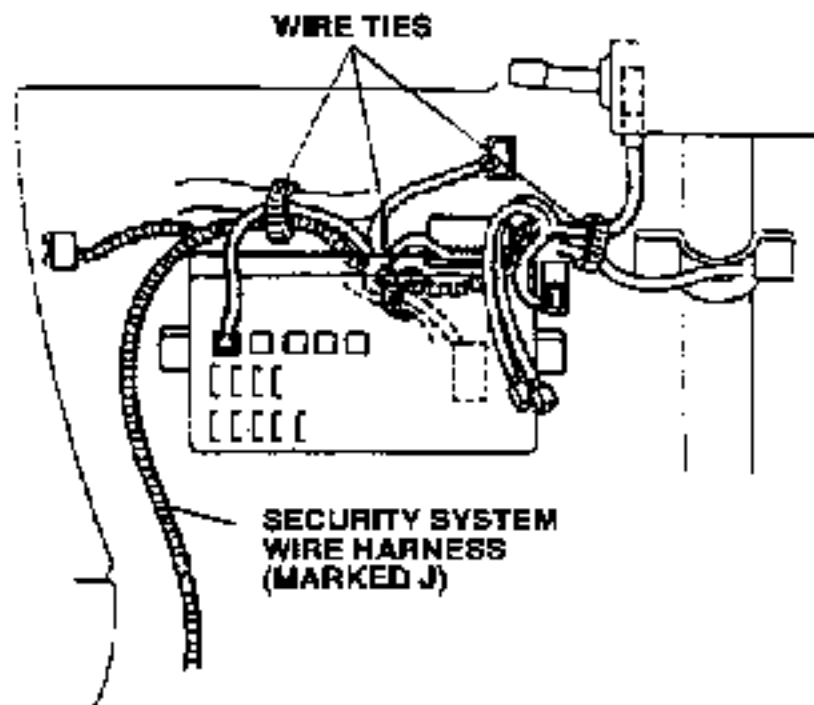


23. Unplug the car's 7-pin connector from the car's light switch and connect the security system wire harness 7-pin connector (marked K) between the connectors you just unplugged.



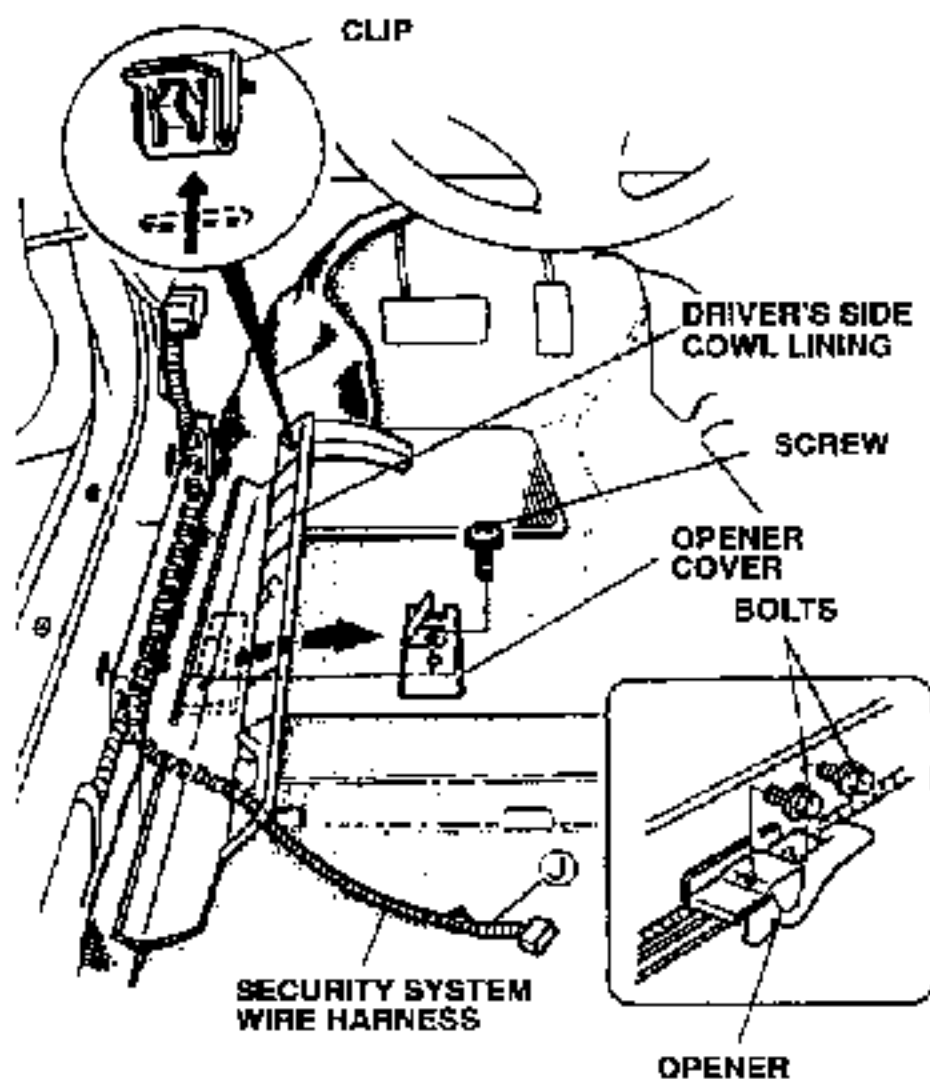
24. Route the 22-pin connector of the security system wire harness (marked J).

25. Secure the security system wire harness to the car's wire harness with the three wire ties.



26. Raise the cover from the fuel lid opener cover, and remove the screw and cover.

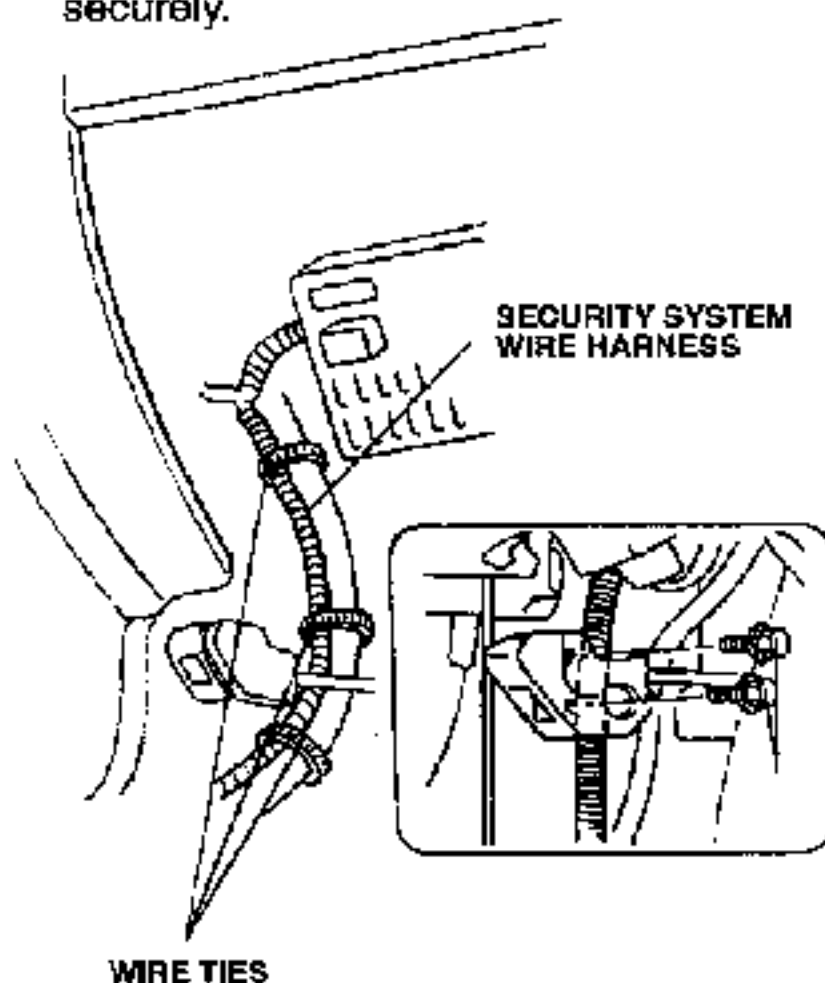
27. Remove the two bolts from the fuel lid opener. If necessary, pull up on the key cylinder to access the rear bolt.



28. Pull out on the driver's side cowl lining (clips: three or four).

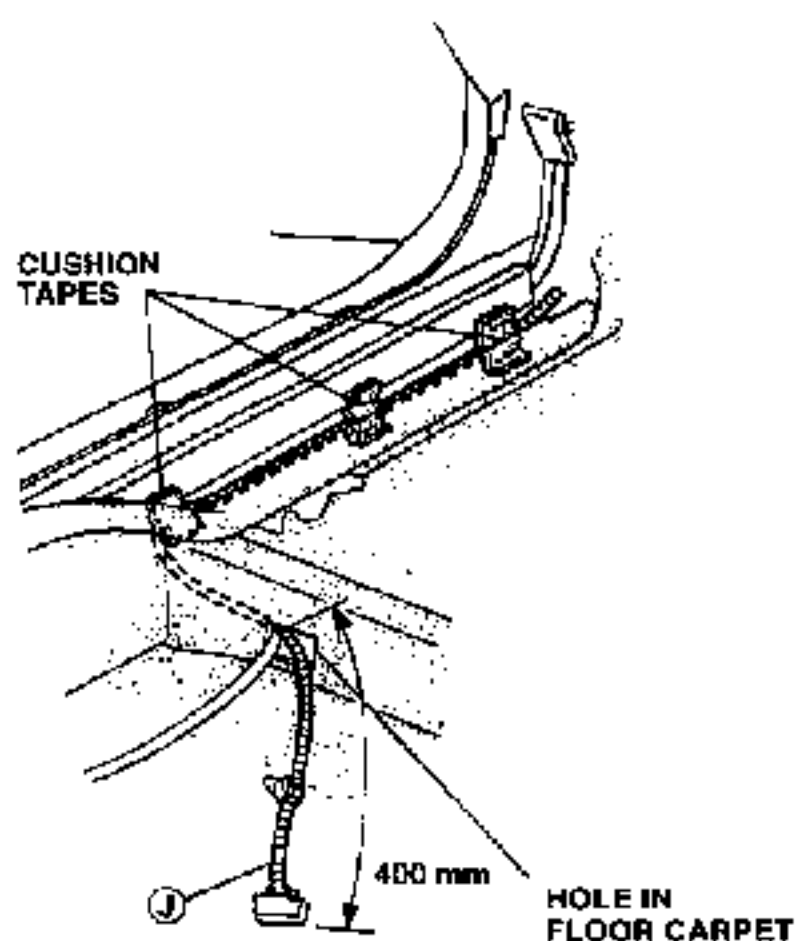
29. Route the security system wire harness through the hole of the floor carpet.

30. Route the security system wire harness behind the hood opener cable; then, reinstall the hood opener with two bolts and tighten the bolts securely.

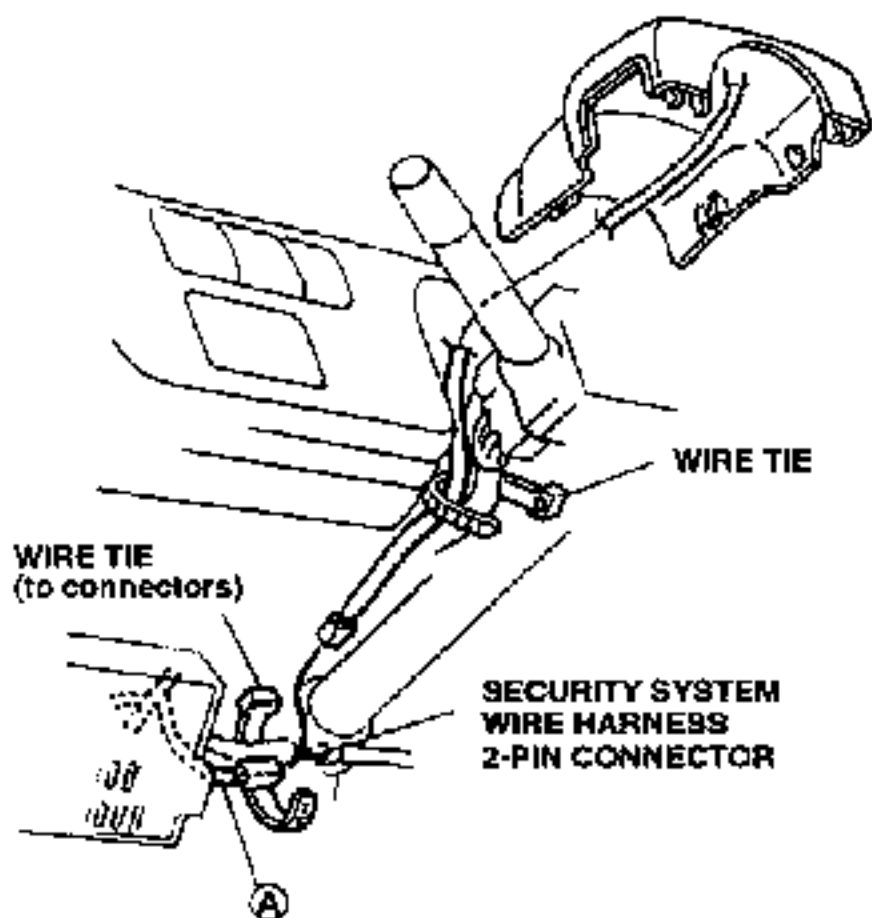


31. Secure the security system wire harness to the car's wire harness with three wire ties.

32. Route the 22-pin connector (marked J) of the security system wire harness, and secure it with three cushion tapes under the car's wire harness protector.



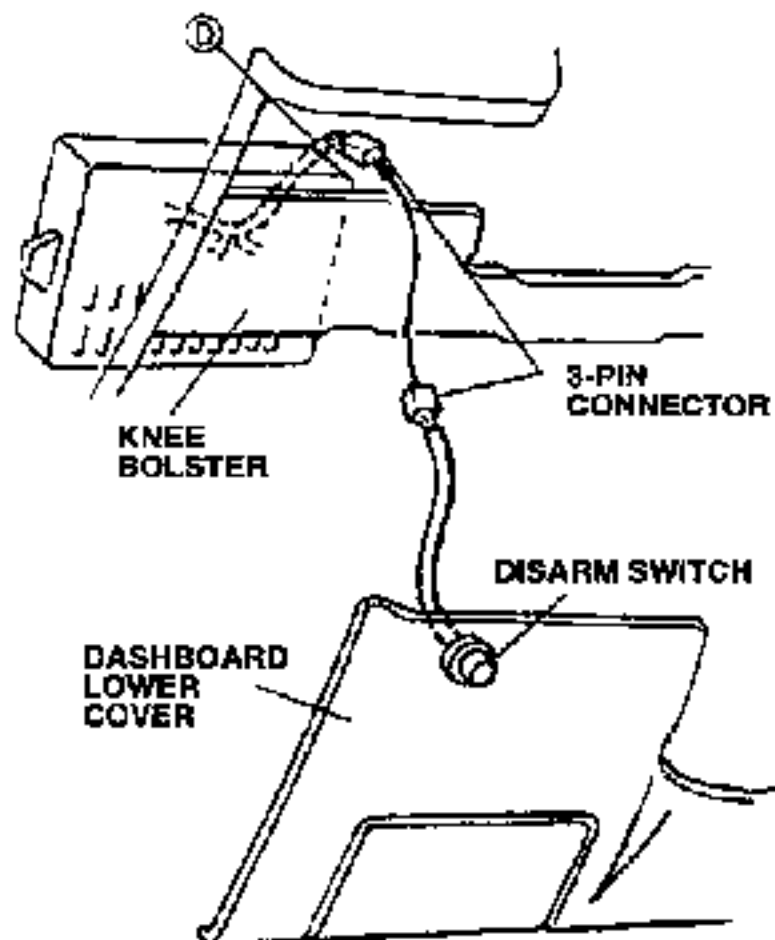
33. Reinstall the side cowl lining, fuel lid opener, and fuel lid cover.
34. Plug the LED 2-pin connector into the security system wire harness 2-pin connector (marked A).
35. Reinstall the upper and lower steering covers.



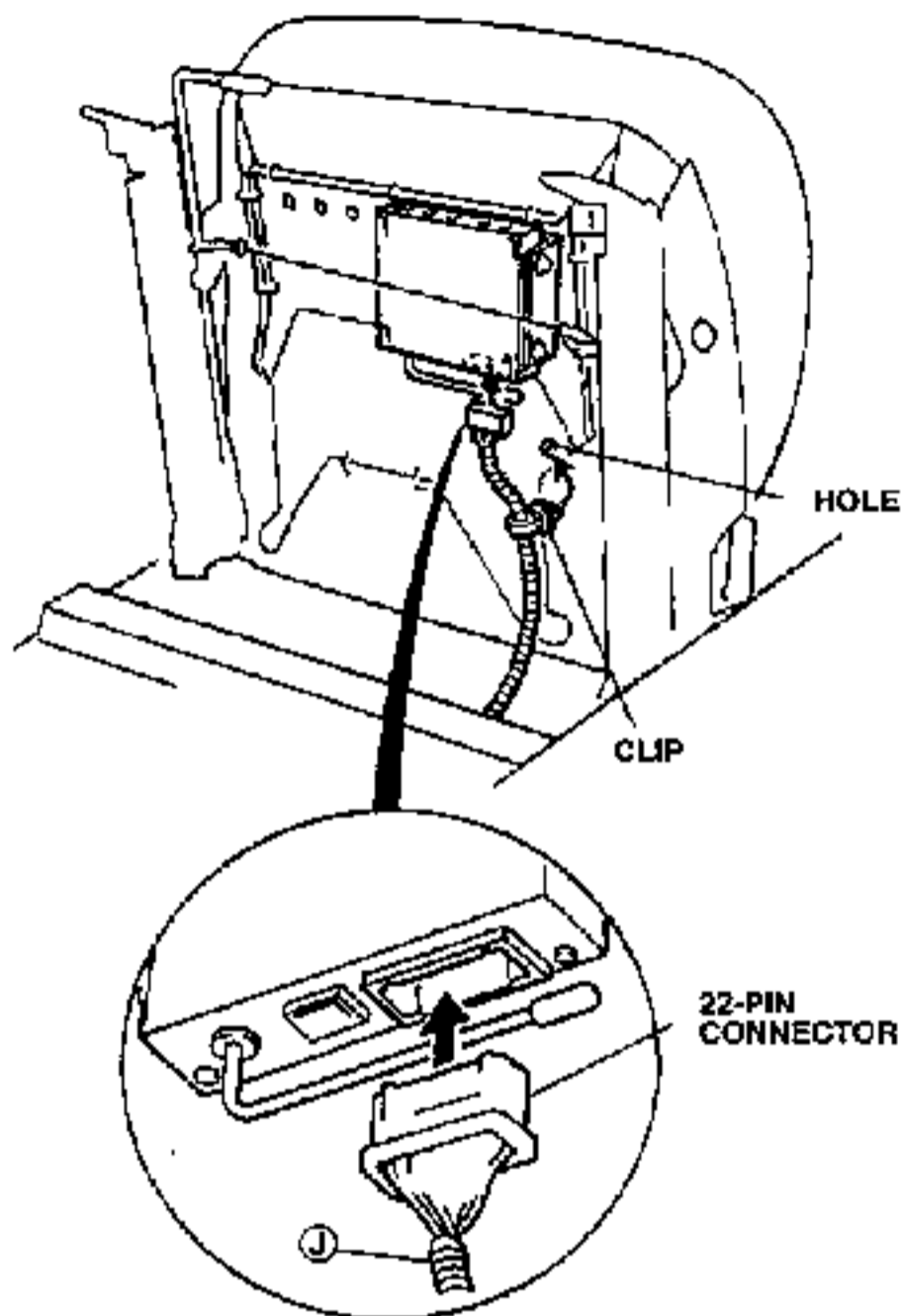
36. Secure the LED lead to the security system wire harness with the two wire ties. Check that the LED harness does not interfere with the operation of the tilt steering system.

37. Reinstall the knee bolster.

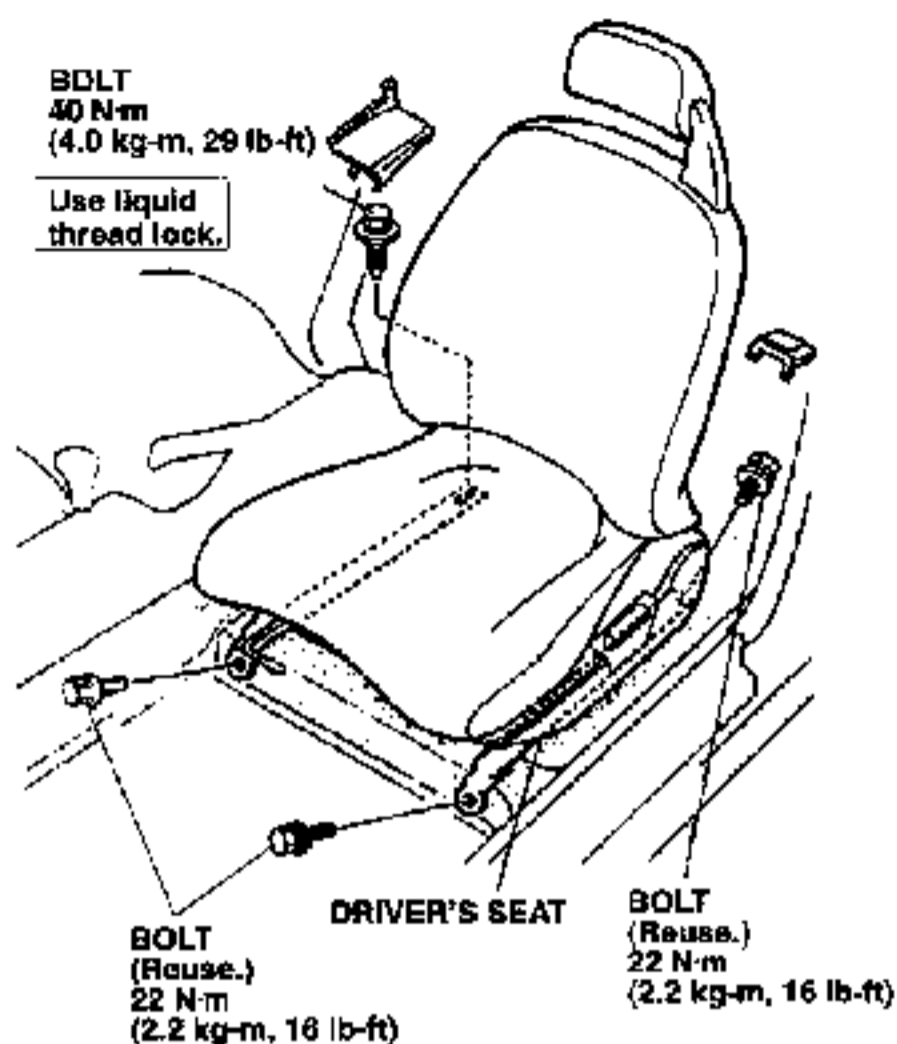
38. Check that all wire harnesses are routed properly and all connectors are plugged in.
39. Route the disarm switch 3-pin connector up over the knee bolster and connect to the security system wire harness 3-pin connector (marked D).



40. Plug the security system wire harness 22-pin connector (marked J) into the control unit on the back of the front seat cushion, and press the clip on the security system wire harness into the hole in the seat panel hole.



41. Position the driver's seat on the seat rail and install the four seat bolts. Install the seat track end covers.



42. Reinstall all removed parts.
43. Connect the negative cable to the battery.
44. Check operation of the security system as described in the Security System Owner's Manual.
45. Enter the customer's radio anti-theft code, if applicable, and reset the radio station presets.
46. Reset the clock.