



Applies To: **2010–12 MDX** – Check the iN VIN status for eligibility
2010–12 ZDX – Check the iN VIN status for eligibility

March 13, 2012

Product Update: Software Update for Lock-up Clutch Function (Supersedes 12-007, dated February 24, 2012, to revise the information marked by the black bars)

REVISION SUMMARY

In Applies to, and under SOFTWARE INFORMATION, 2012 model year MDX and ZDX information was added.

BACKGROUND

A judder from the torque converter lock-up clutch may be felt while driving between 20–60 mph. To minimize the opportunity for the judder to occur, a software update for the transmission is available.

CLIENT NOTIFICATION

All owners of affected vehicles will be sent a notification of this product update. An example of the client letter is included at the end of this service bulletin.

Do an **iN VIN status inquiry** to make sure the vehicle is shown as eligible.

In addition, check for a punch mark above the ninth character of the engine compartment VIN. A punch mark in that location means this product update has already been completed.

Some vehicles affected by this campaign may be in your new or used vehicle inventory. Repair these vehicles before they are sold.

CORRECTIVE ACTION

Update the PGM-FI or the A/T software. Then, if the vehicle is client-owned or previously owned, replace the ATF.

PARTS INFORMATION

Washer: P/N 90441-PK4-000

Drain Washer: P/N 90471-PX4-000

REQUIRED MATERIALS

Automatic Transmission Fluid DW-1 (one quart; four required): P/N 08200-9008A

Automatic Transmission Fluid DW-1 (55 gallon drum): P/N 08200-9009

WARRANTY CLAIM INFORMATION

OP#	Description	FRT
1255B7	Update the PGM-FI or A/T software.	0.2
A	Add for changing ATF fluid – client-owned or previously owned vehicles only.	0.3

Failed Part: P/N 37820-RYE-A76

Defect Code: 5TJ00

Symptom Code: S2800

Skill Level: Repair Technician

SOFTWARE INFORMATION

NOTE: Unnecessary or incorrect repairs resulting from a failure to update the HDS or MVCI are not covered under warranty.

MVCI Control Module (CM) Update:

Application Version V2.16.04 **or later**
Database update 22-FEB-2012 **or later**

HDS Software Version:

3.002.033 **or later**

Before beginning the repair, make sure that both the HDS and MVCI are updated as listed above.

Do only the update listed in this service bulletin.

Check that the MVCI indicates the applicable program ID listed below (or a later program ID) as the **Recommended Update** when the update begins.

If the MVCI displays **This vehicle does not need an update at this time** during the update, the software for this service bulletin is already installed.

For more information about updating the HDS, the MVCI, and vehicle systems, refer to Service Bulletin 01-026, *Updating Control Units/Modules*.

Year/Model	Program ID (or later)	Program P/N (or later)	**System to Update
2010–11 MDX (Base, Tech)	YEA770	37806-RYE-A77	AT
*2011 MDX (Base, Tech)	YEA230	37805-RYE-A23	PGM-FI
2012 MDX (Base, Tech)	YE3050	37806-RYE-305	AT
*2012 MDX (Base, Tech)	YE4050	37805-RYE-405	PGM-FI
2010–11 MDX (Advance)	YEA870	37806-RYE-A87	AT
*2011 MDX (Advance)	YEA330	37805-RYE-A33	PGM-FI
2012 MDX (Advance)	YE3060	37806-RYE-306	AT
*2012 MDX (Advance)	YE4060	37805-RYE-406	PGM-FI
2010–11 ZDX (Base, Tech)	P6A570	37806-RP6-A57	AT
2010–11 ZDX (Advance)	P6A770	37806-RP6-A77	AT
2012 ZDX (Base, Tech)	P63050	37806-RP6-305	AT
2012 ZDX (Advance)	P63060	37806-RP6-306	AT

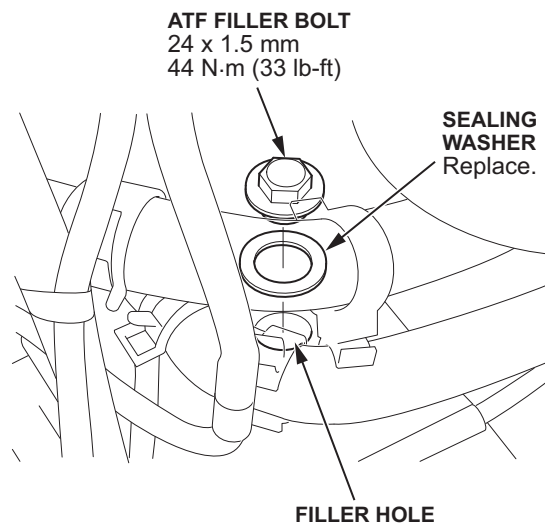
*These vehicles use a PCM made by Continental. For more information about these PCMs and how they're different from PCMs by Keihin, refer to the *ServiceNews* article "New PCM Supplier for MDXs."

** Continental PCMs contain only one software program that contains the software for both the PGM-FI and AT systems. Update the PGM-FI system on these vehicles. Keihin PCMs contain separate software programs for the PGM-FI and AT systems. Update **only** the AT system on these vehicles.

REPAIR PROCEDURE

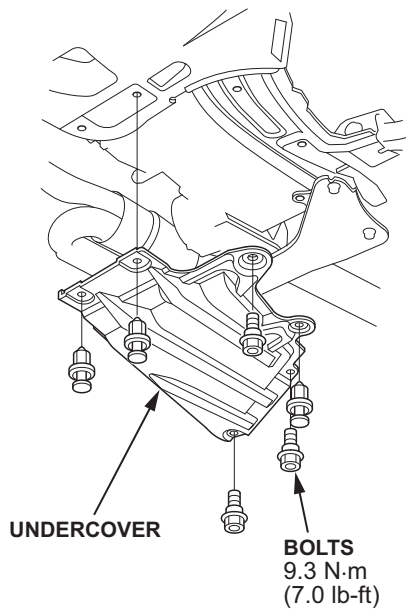
NOTE: MDX is shown; ZDX is similar.

- Update the PGM-FI or the A/T software. Refer to Service Bulletin 01-026, *Updating Control Units/Modules*.
 - If this is a client-owned or previously owned vehicle, go to step 2.
 - If the vehicle is new and unsold, do not change the ATF. Go to step 15 to punch the VIN.
- Start the engine and let it warm up to normal operating temperature (the radiator fan comes on), position the vehicle on a lift, and turn the engine off.
- ZDX: Remove the air cleaner.
- ZDX: Remove the intake air duct.
- Remove the ATF filler bolt and the sealing washer.

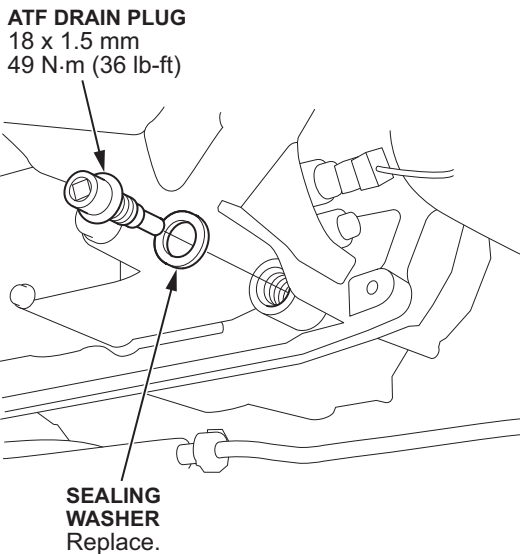


- Raise the vehicle, and make sure it's securely supported.

7. Remove the engine undercover.



8. Remove the drain plug, and drain the ATF.



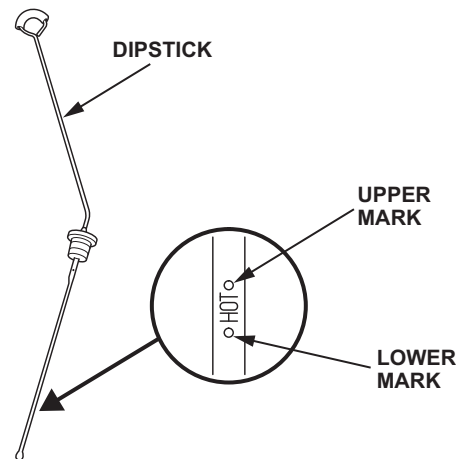
9. Reinstall the drain plug using a new sealing washer, and torque it to **49 N·m (36 lb-ft)**.

10. Reinstall the engine undercover. Torque the bolts to **9.3 N·m (7 lb-ft)**, then lower the vehicle.

11. Refill the transmission with **3.3 quarts** of ATF through the filler hole.

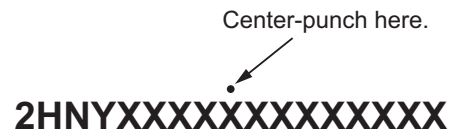
12. Install the ATF filler bolt using a new sealing washer, and torque it to **44 N·m (33 lb-ft)**.

13. Check that the fluid is filled to the proper level.



14. *ZDX*: Reinstall the intake air duct and the air cleaner.

15. Center-punch a completion mark above the ninth character of the engine compartment VIN:



Example of Client Letter

March 2012

Product Update: Software Update for Lock-up Clutch

Dear Acura Owner:

This letter is to notify you of a potential problem with your vehicle and what you should do to resolve it.

What is the problem?

On some 2010–12 MDXs and ZDXs, a transmission judder (vibration) may sometimes be felt while driving between 20–60 mph. To minimize the probability for judder to occur, a software update for the transmission is available. Even if you do not feel a judder from the transmission, you should still have the software updated. Otherwise, the transmission may become damaged.

What should you do?

Contact any authorized Acura dealer for an appointment to have your vehicle's software updated. The dealer will update the software in the powertrain control module. This work will be done free of charge. Please plan to leave your vehicle at the dealer for half a day to allow them flexibility in scheduling.

Lessor Information

If this is a leased vehicle, please forward a copy of this notice to the lessee.

If you have questions

If you have any questions about this notice, or need assistance with locating an Acura dealer, please call Acura Client Relations at **800-382-2238**, and select option 4. You can also locate a dealer online at acura.com.

We apologize for any inconvenience this product update may cause you. Our goal is to ensure that your vehicle continues to be as reliable and enjoyable as possible.

Sincerely,

American Honda Motor Co., Inc.

Acura Automobile Division