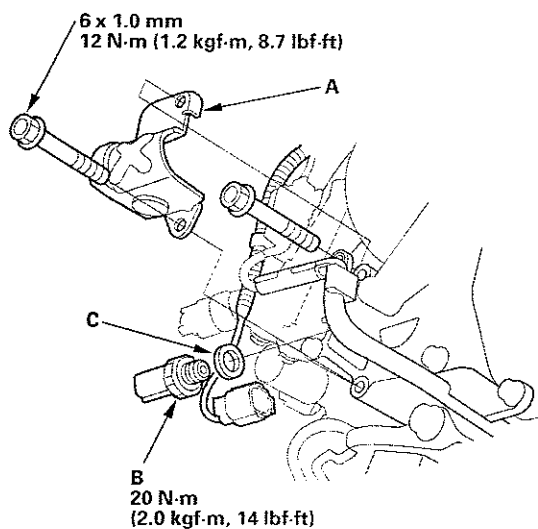




3rd Clutch Transmission Fluid Pressure Switch Replacement

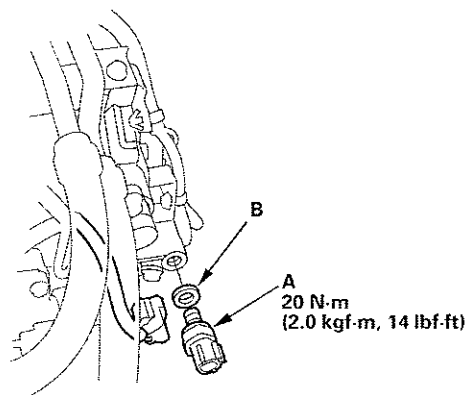
1. Remove the switch cover (A).



2. Disconnect the connector from the 3rd clutch transmission fluid pressure switch (B).
3. Replace the 3rd clutch transmission fluid pressure switch, then install a new one with a new sealing washer (C). Tighten the switch on the metal part, not the plastic part.
4. Reconnect the connector, making sure there is no water, oil, dust, or other foreign particles inside it.
5. Install the switch cover.

4th Clutch Transmission Fluid Pressure Switch Replacement

1. Disconnect the connector from the 4th clutch transmission fluid pressure switch (A).



2. Replace the 4th clutch transmission fluid pressure switch, then install a new one with a new sealing washer (B). Tighten the switch on the metal part, not the plastic part.
3. Reconnect the connector, making sure there is no water, oil, dust, or other foreign particles inside it.