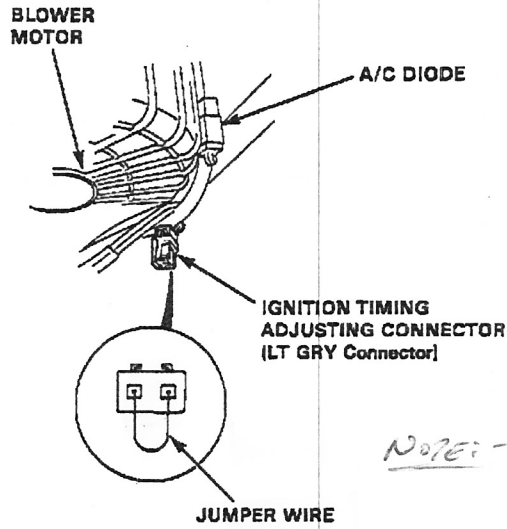


## Ignition Timing: Adjustments

### Ignition Timing Adjustment

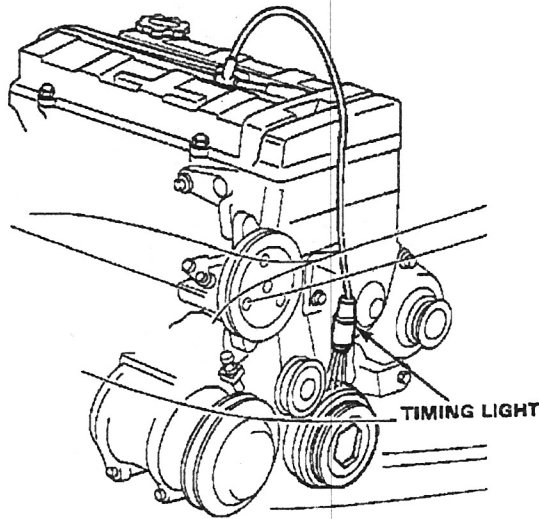
Start the engine and allow it to warm up (cooling fan comes on).



*NOTE: - CHECK ENGINE LIGHT MUST BE ON WHEN THIS CONNECTOR IS JUMPED*

### Ignition Timing

2. Connect the GRN and BRN terminals of the ignition timing adjusting connector (LT GRY) located at right, under dash with a jumper wire.



### Timing Light Hookup

3. Connect a timing light to the engine; while the engine idles, point the light toward the pointer on the timing belt cover.