

HONDA INSTALLATION INSTRUCTIONS

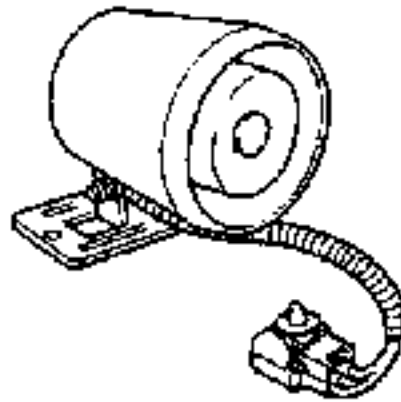
Accessory
**SECURITY SYSTEM
OPTIONS**

Application
**1994 - 95 CIVIC
2/3/4-DOOR**

Publications No.
All 16014-16626
Issue Date
AUG 1994

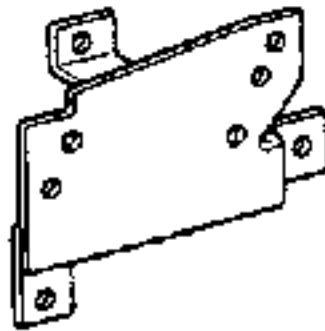
PARTS LIST

SIREN KIT:
P/N: 08E54-SR4-100



**SIREN
ATTACHMENT KIT:**
P/N: 08E58-SR4-100

Siren bracket



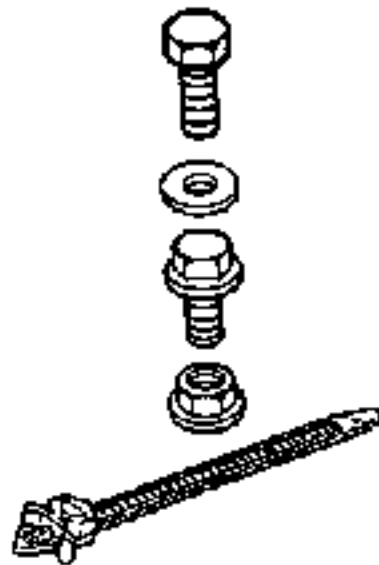
2 Bolts (5 x 12 mm)

2 Washers

Flange bolt (6 x 8 mm)

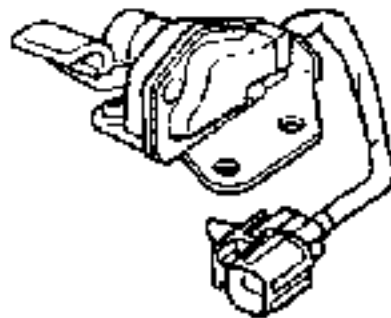
2 Flange nuts (5 mm)

Wire tie



HOOD SWITCH KIT:
P/N: 08E49-SR4-100G

Hood switch



**HOOD SWITCH
ATTACHMENT KIT:**
P/N: 08E49-SR4-100G

Hood switch bracket

2 Flange bolts (6 x 14 mm)

2 Washers

WIRE HARNESS KIT:
P/N: 08E57-SR4-100

Siren harness

6 Wire ties with clip

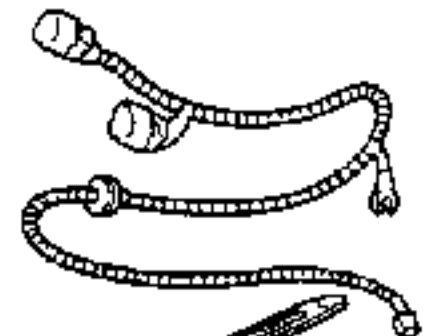
13 Long wire ties

2 Short wire ties

4 Cushion tapes

Washer bolt (6 x 12 mm)

Wire clip



TOOLS AND SUPPLIES REQUIRED

#2 Phillips screwdriver
10 and 12 mm Sockets
10 mm Combination wrench
Electrical tape
Ratchet

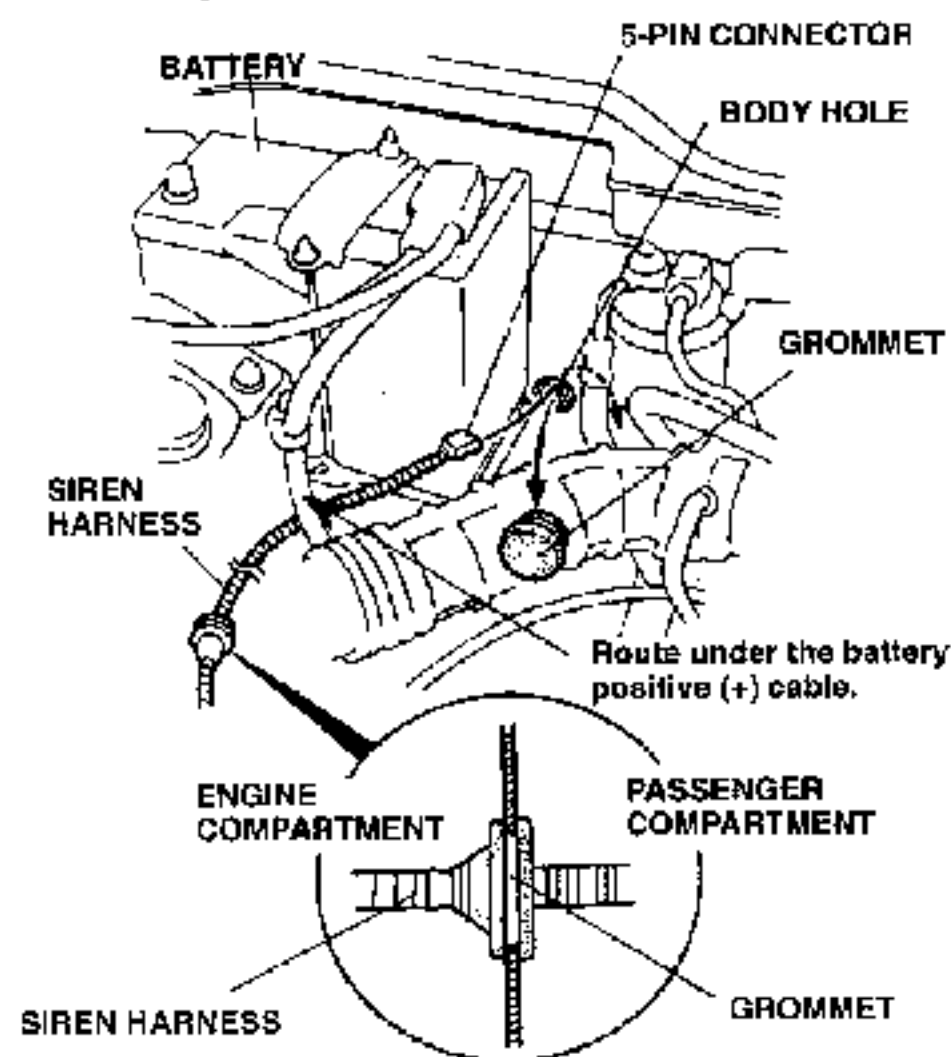
INSTALLATION

Before You Begin:

- Write down the customer's radio station presets; the radio memory will be erased when you disconnect the battery.
- If the radio has a coded theft protection circuit, be sure you have the anti-theft code before you disconnect the battery.
- This kit is designed to be used exclusively with Honda Security System Kit. Before you install the siren and switch, have the recommended Security System Kit on hand.

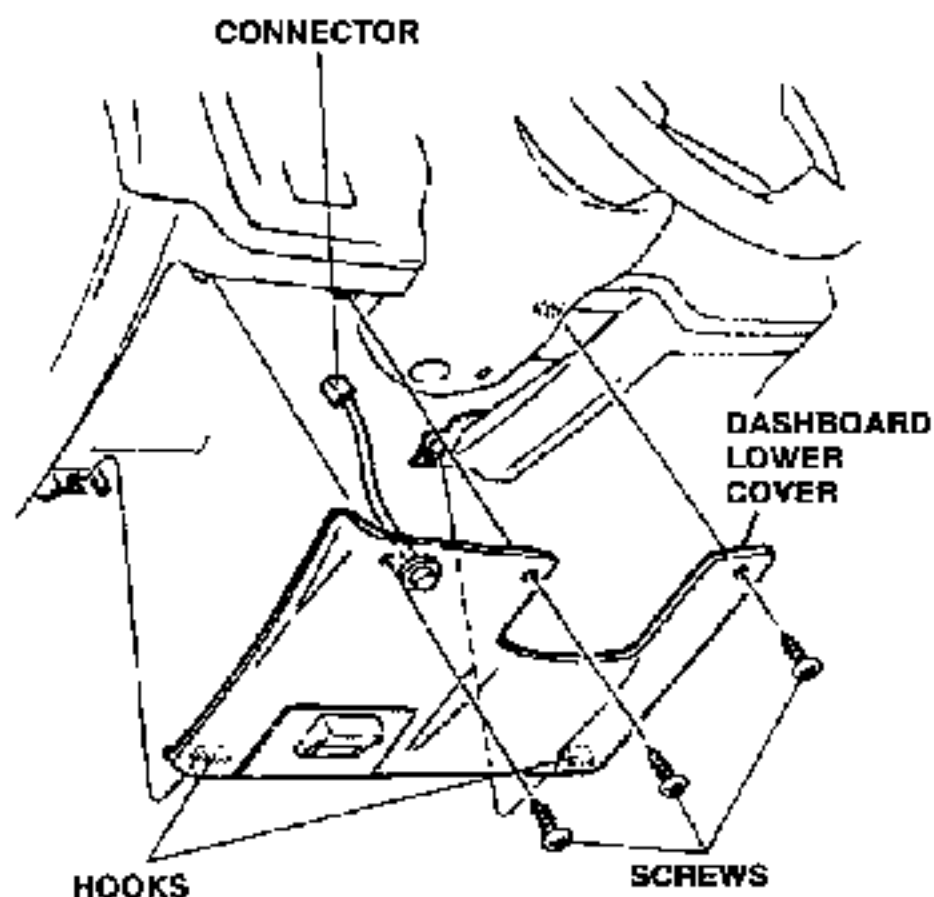
Siren Harness Installation

1. Disconnect the negative cable from the battery.
2. Inside the engine compartment, remove the grommet from the bulkhead just below the battery.

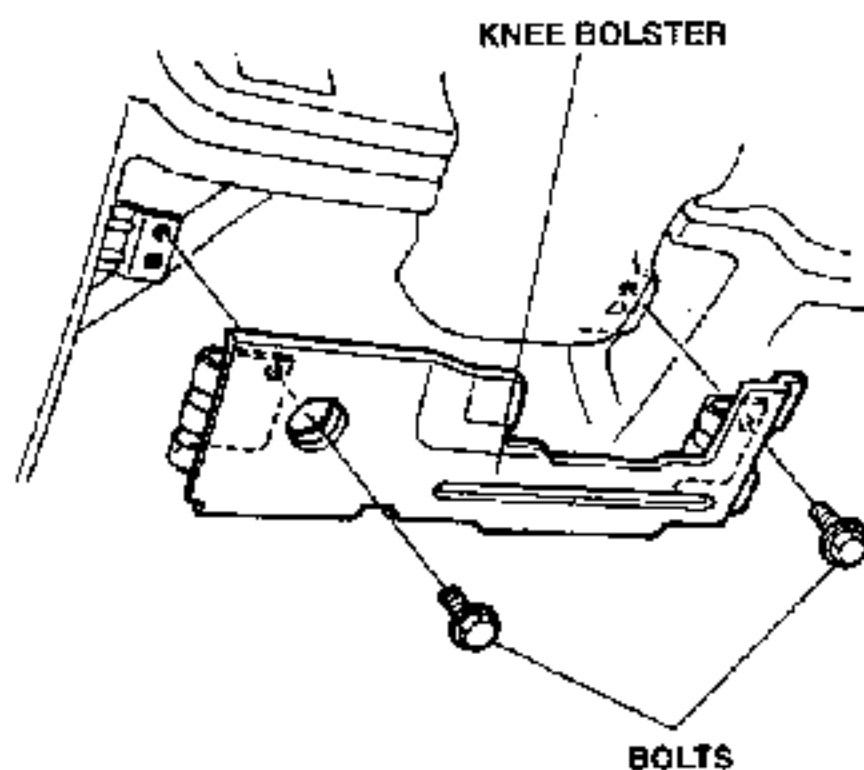


3. Route the siren harness 5-pin connector into the passenger compartment through the hole in the bulkhead. Seat the harness's grommet in the bulkhead hole by pushing it through the hole and then pulling it back until the groove seats.

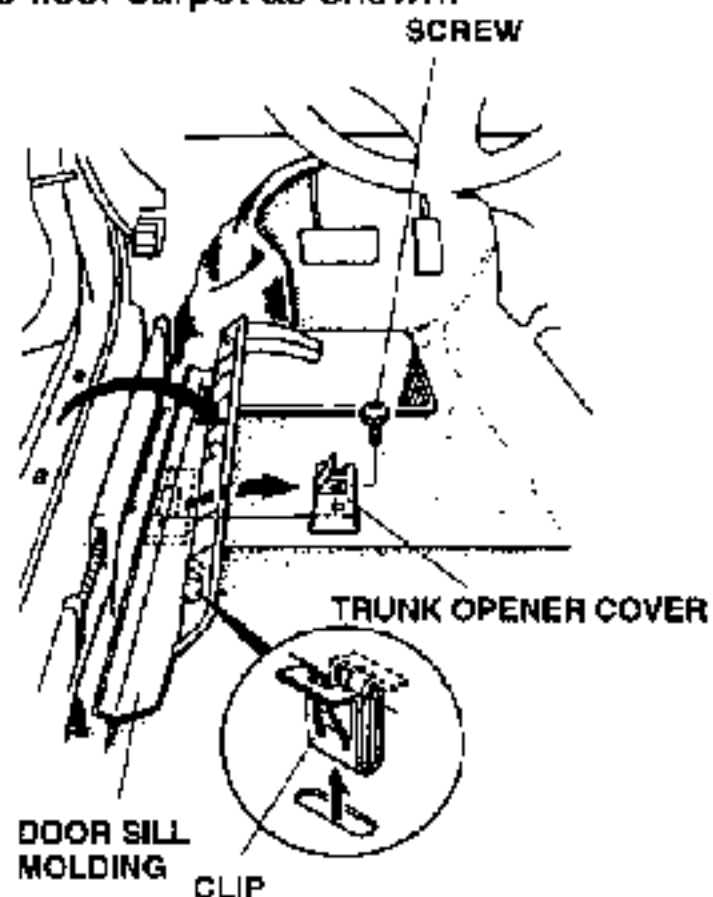
4. Remove the dashboard lower cover (three screws, two hooks, one connector).



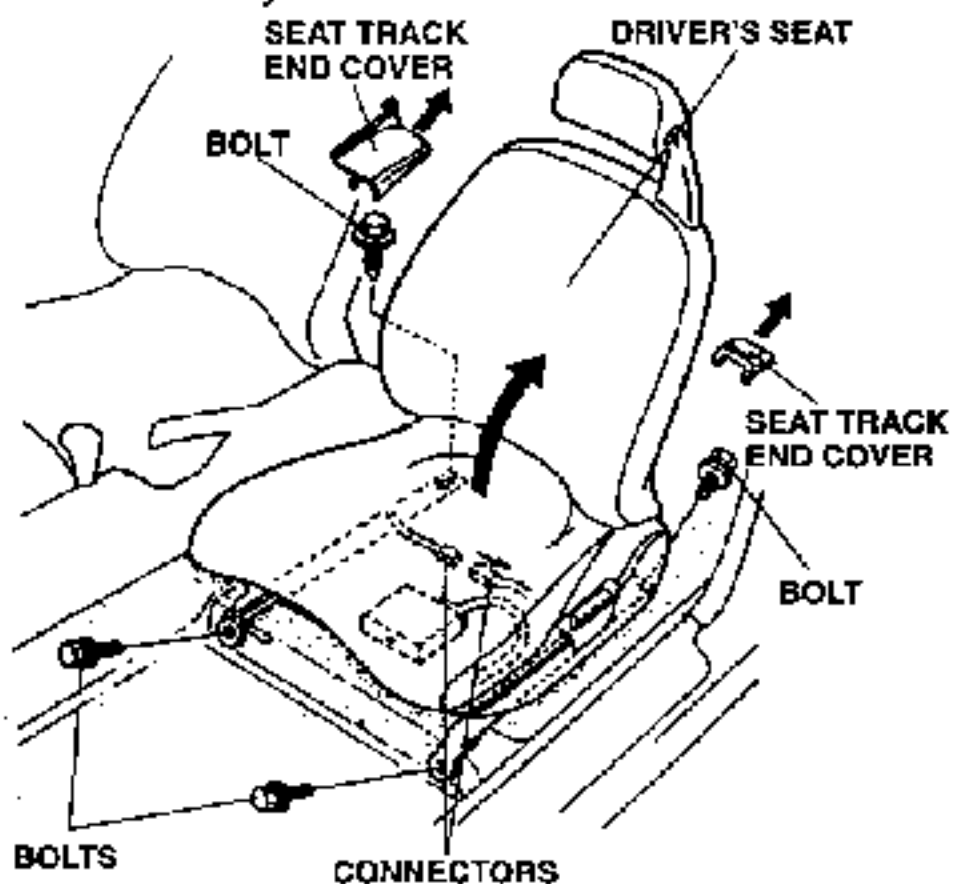
5. Remove the knee bolster (two bolts).



6. Remove the trunk opener cover (one screw).
7. Remove the three clips securing the door sill molding on the left (driver's side); then turn over the floor carpet as shown.

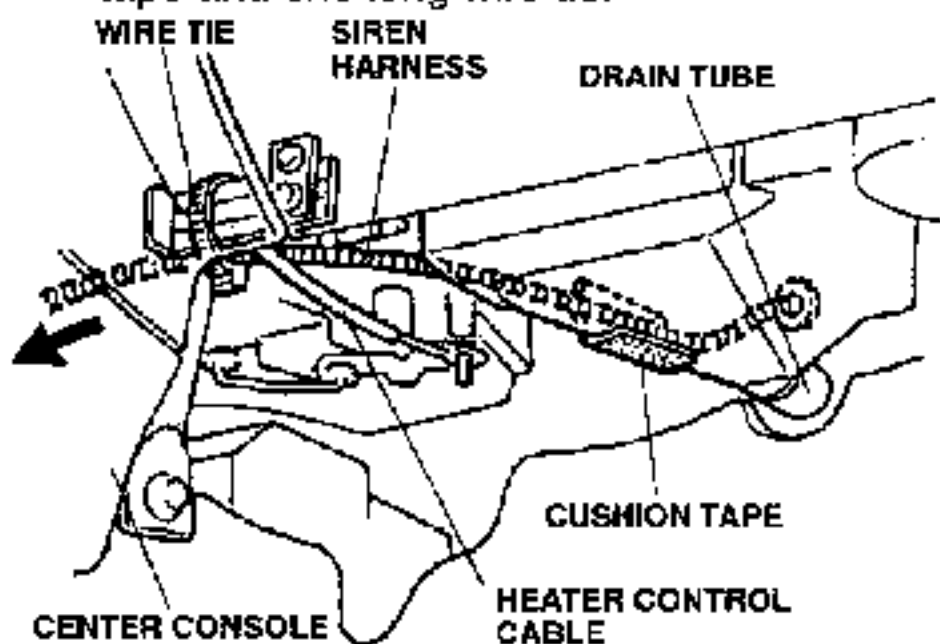


8. Remove the driver's seat:
 - Slide the driver's seat all the way back, and remove the two front seat track mounting bolts.
 - With the seat back tilted forward, slide the driver's seat toward the front, and remove the two seat track end covers and the rear seat track mounting bolts. To prevent damage to the end covers, pull them up in the arrow direction when removing them.
 - Unplug the connectors under the seat cushion; then tilt the front seat back, and out of the way.

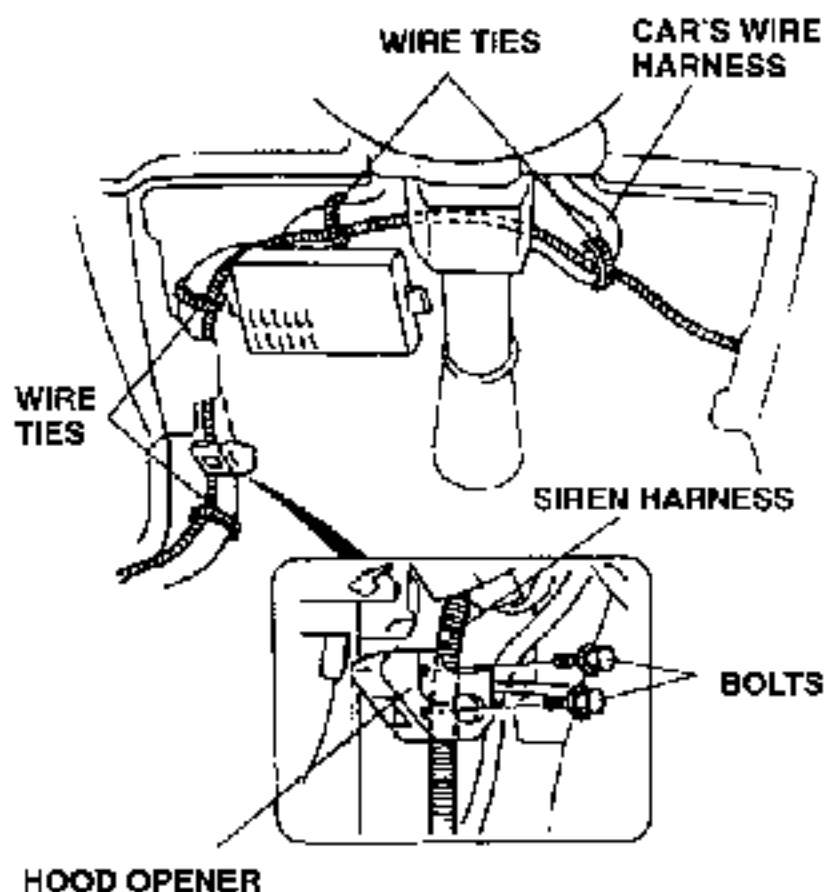


9. Route and secure the siren harness:

- *With Air Conditioner:* Route alongside the air conditioner drain tube.
- *Without Air Conditioner:* Route along the bottom face of the heater duct, above the heater control cable.
- Route behind the center console toward the driver's side of the car.
- Secure the siren harness with one cushion tape and one long wire tie.

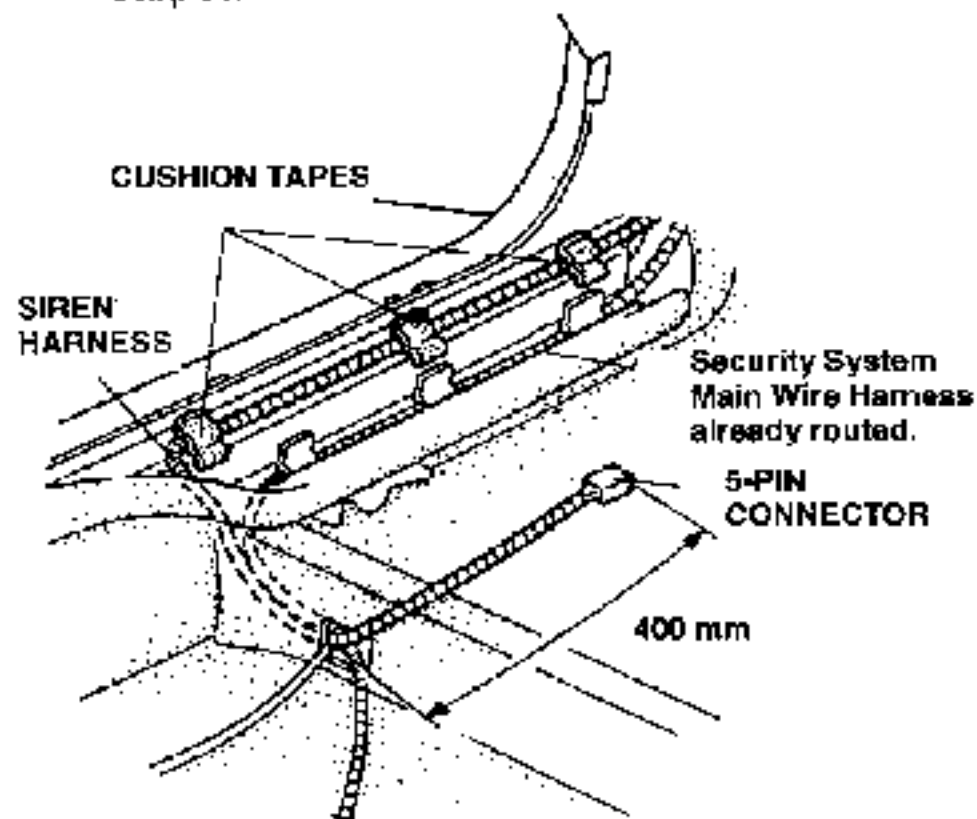


- Continue routing the siren harness over the steering shaft, and secure it to the car's wire harness with four long wire ties. Secure the wire ties only in the area shown and not to the yellow SRS wire harness. Cut the excess off of the wire ties.

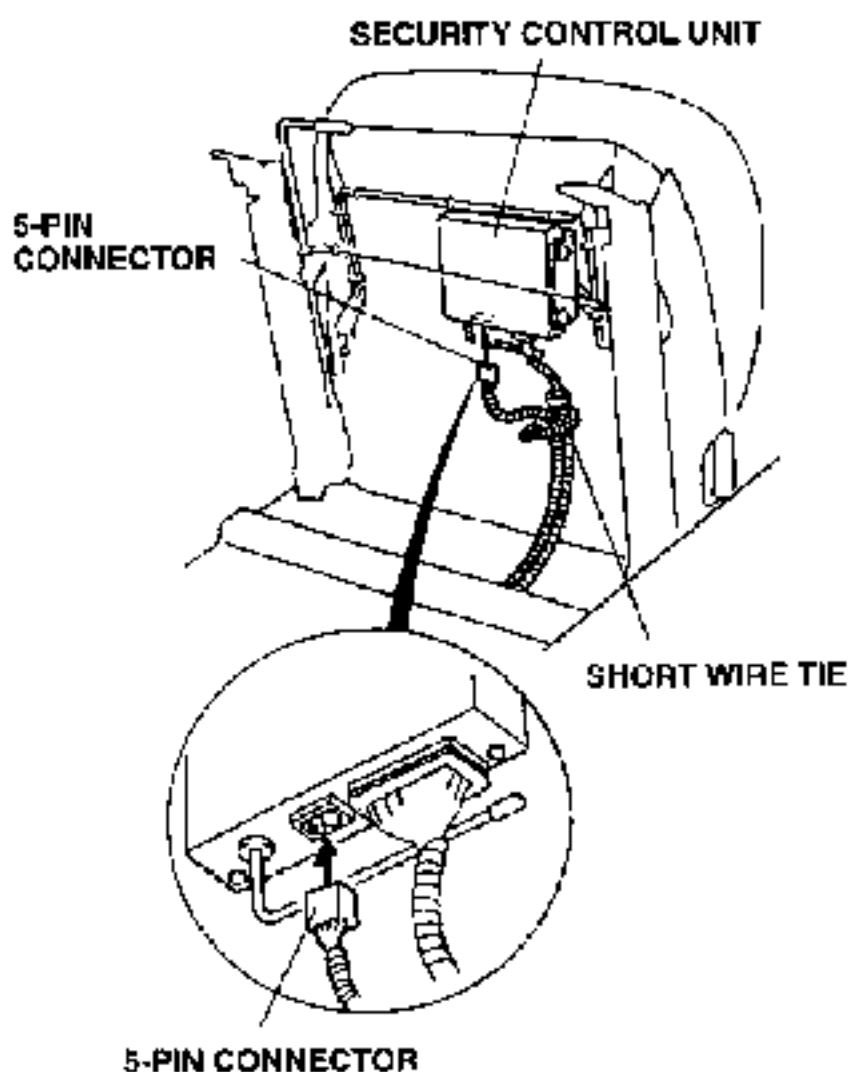


- Remove the engine hood opener mounting bolts; then route the siren harness behind the opener cable. Reinstall the hood opener.

- Route the siren harness along the security system main harness, and secure it to the car's wire harness cover with three cushion tapes. Secure the security siren harness to the wire harness cover so that its 5-pin connector is 400 mm from the hole in the carpet.



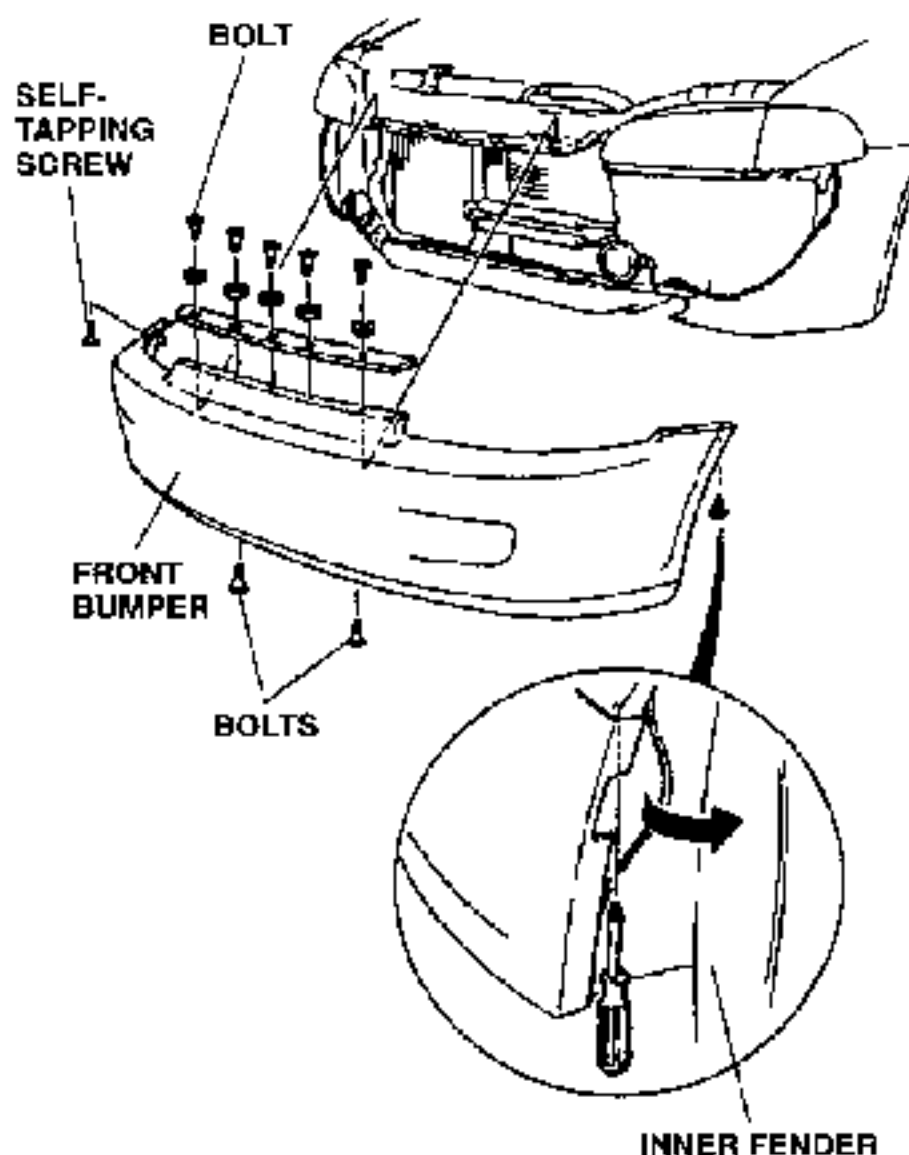
10. Plug the siren harness 5-pin connector into the security control unit installed underneath the driver's seat. Secure the harness to the security system harness with one short wire tie in the area shown.



11. Reinstall the driver's seat, the knee bolster, the dashboard lower cover, and the kick panel.

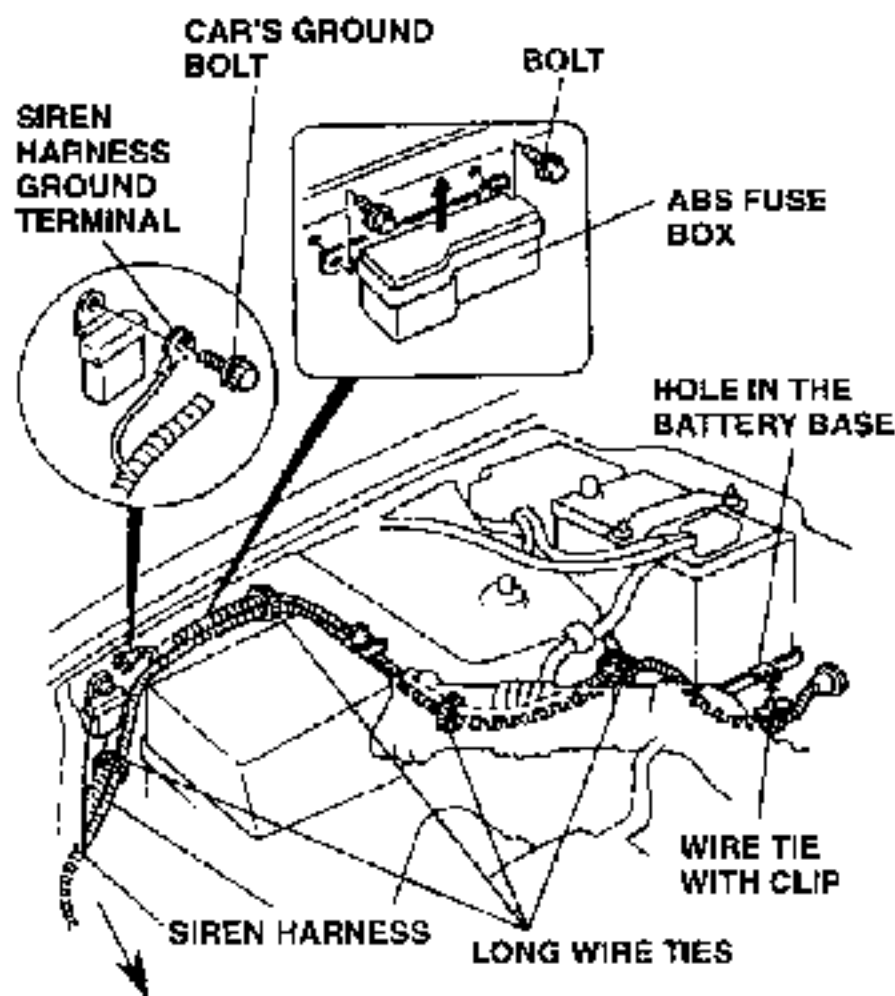
12. Remove the front bumper:

- Remove the two bolts that fasten the bottom of the front bumper.
- Push the inner fender out of the way; then remove the self-tapping screw on each side.
- Remove the five bolts that fasten the plate to the top of the front bumper. Remove the plate.
- To prevent scratches, rest the front bumper on cardboard or a mat during the installation of the security siren.



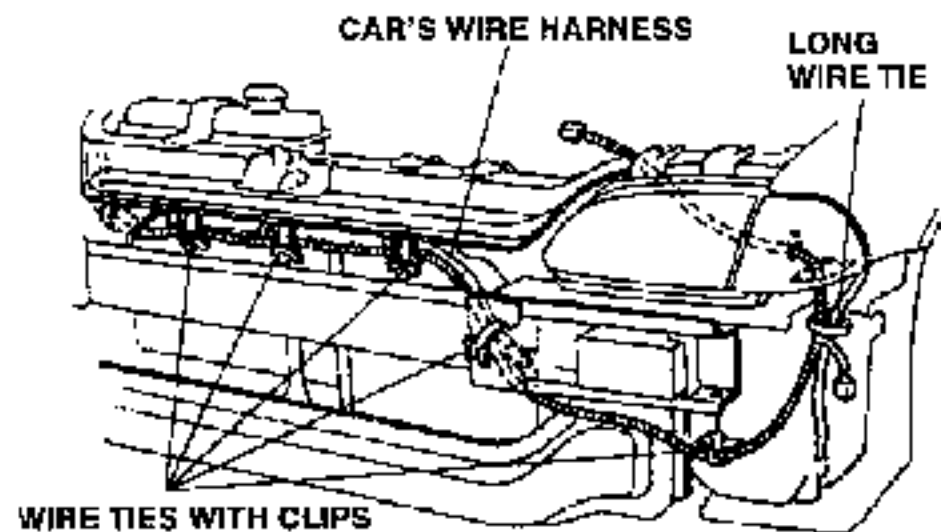
13. Route the siren harness:

- Route toward the front alongside the car's wire harness.
- Remove the ABS fuse box (two bolts).
- Route the siren harness under the ABS fuse box.
- Loosen the car's ground bolt. Slide the siren harness ground terminal under the bolt; then tighten the bolt securely.
- Press one wire tie with clip into the hole in the battery base, and clamp the harness with the wire tie.
- Secure the siren harness to the car's wire harness with four long wire ties, as shown.
- Reinstall the ABS fuse box.

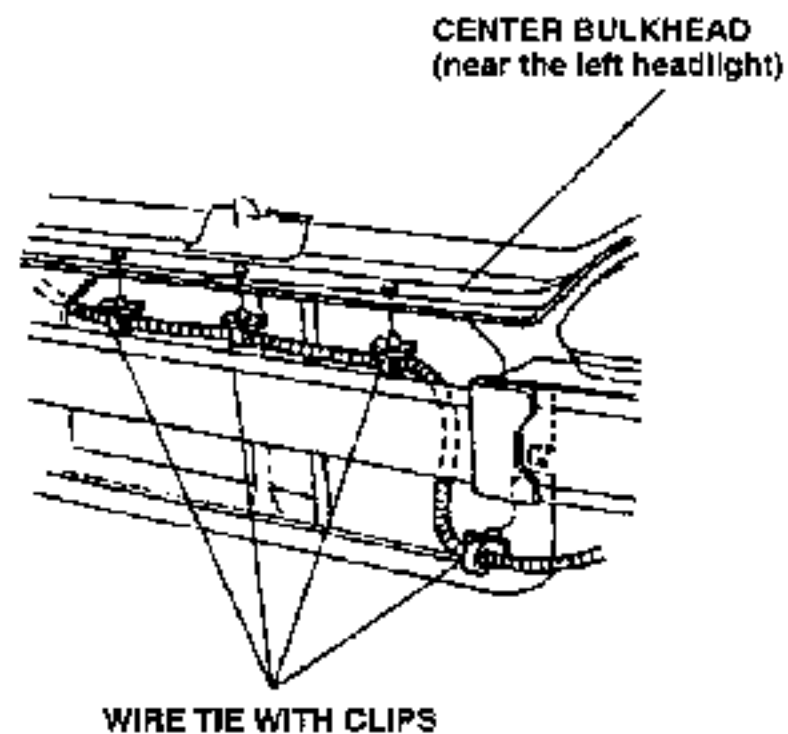


14. Route the siren harness along the car's wire harness under the center bulkhead. Secure the siren harness to the car's wire harness, as it exits the bulkhead, using one long wire tie. Continue routing the siren harness through the holes in the body panel, toward the engine compartment:

With Air Conditioner: Secure the siren harness to the car's wire harness using five wire ties with clips as shown. One wire tie with clip goes into the hole in the bumper beam.

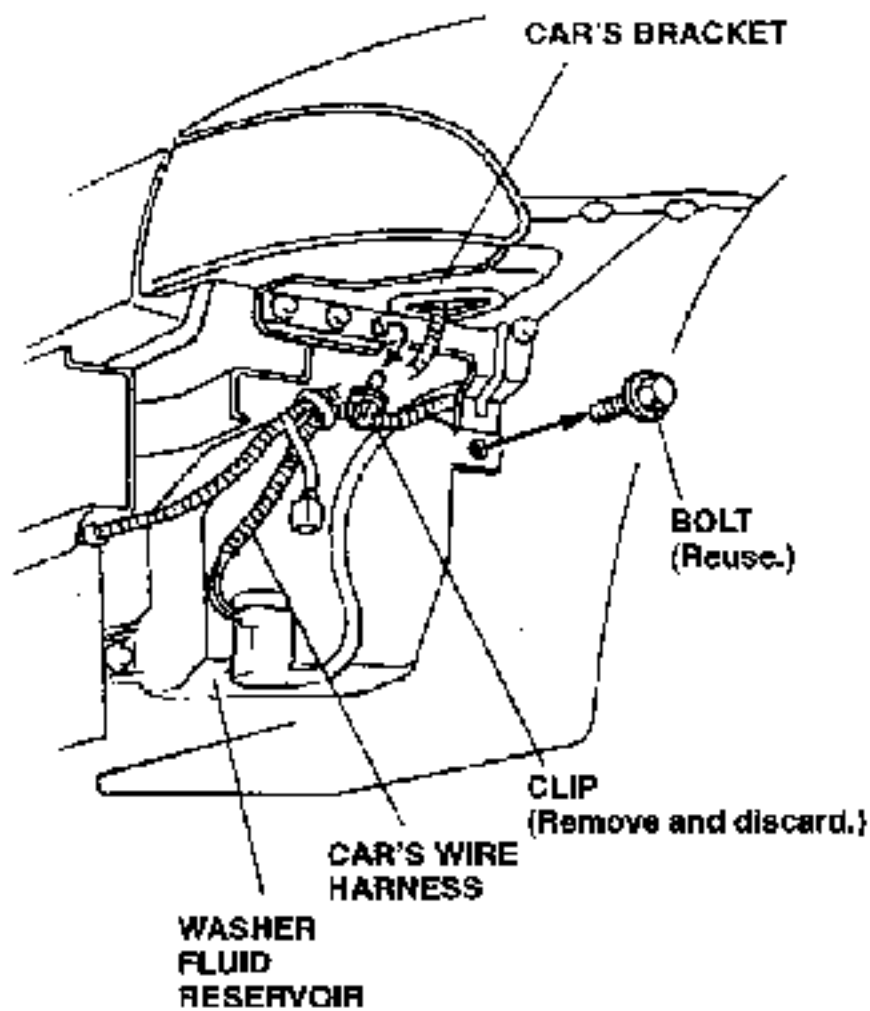


Without Air Conditioner: Secure the siren harness to the car's wire harness with four wire ties with clips in the holes of the center bulkhead and bumper beam as shown.

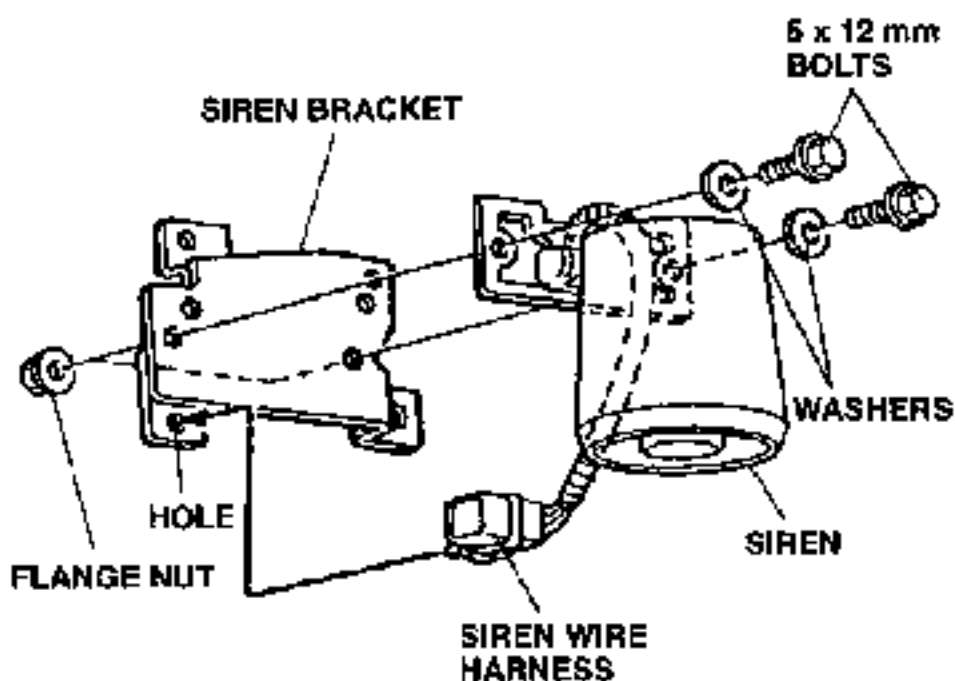


Siren Installation

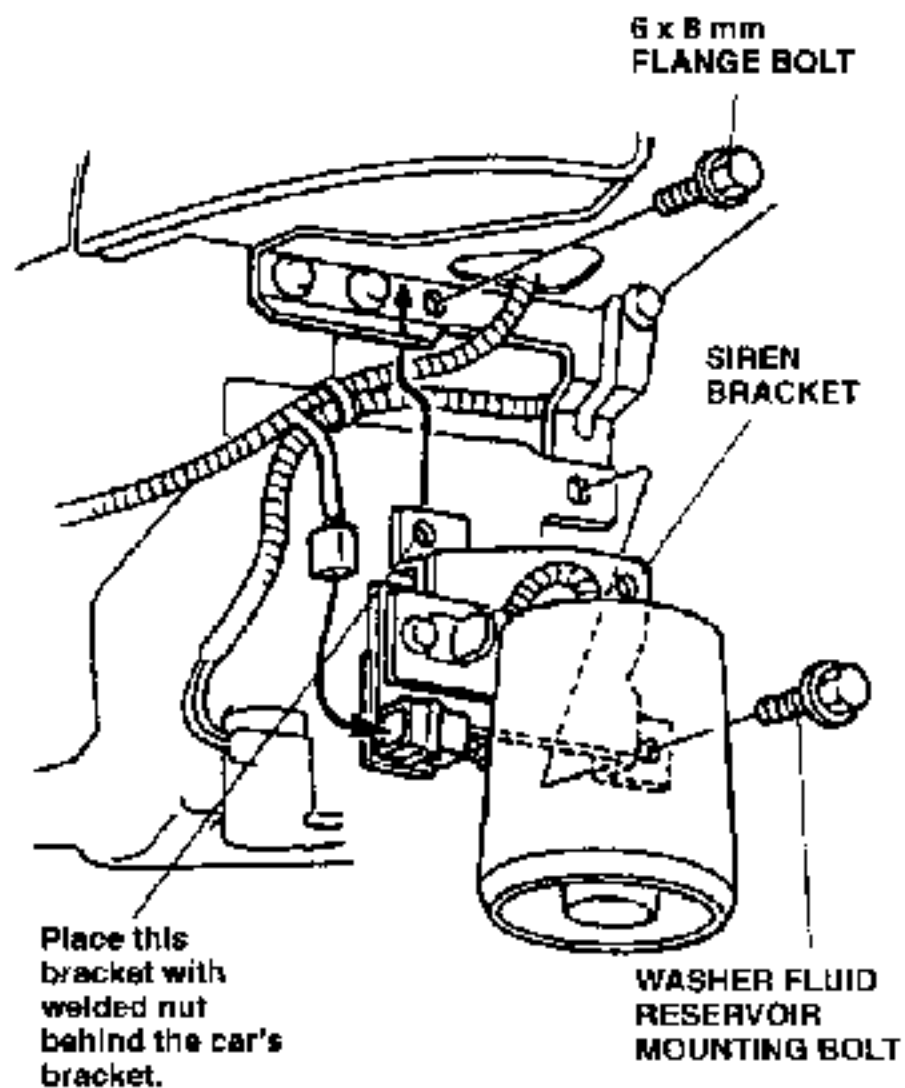
15. Release the clip on the car's wire harness from the car's bracket, and remove and discard the clip.



16. Remove the washer fluid reservoir mounting bolt.
17. Position the siren on the bracket, and install the two 5 x 12 mm bolts, flange nuts, and washers. Tighten the bolts securely. Press the clip of the siren's wire harness into the hole in the siren bracket.



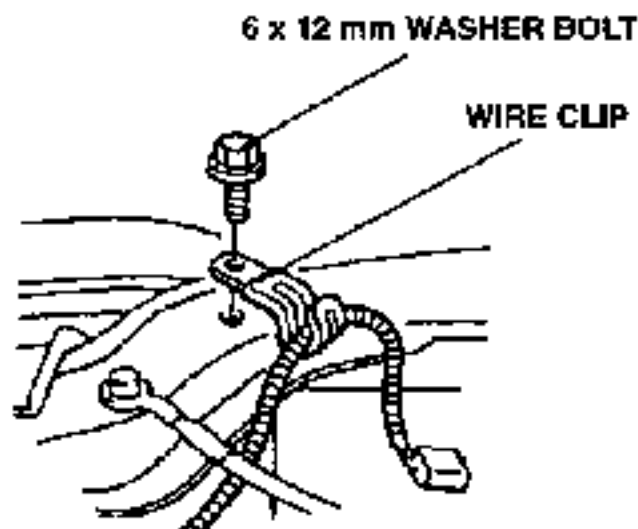
18. Position the siren bracket and siren assembly as shown. Install the 6 x 8 mm flange bolt in the top hole, and install the 6 mm bolt removed from the washer fluid reservoir tank in the bottom hole. Tighten the bolts securely.



19. Connect the siren 3-pin connector to the 3-pin connector of the siren harness.

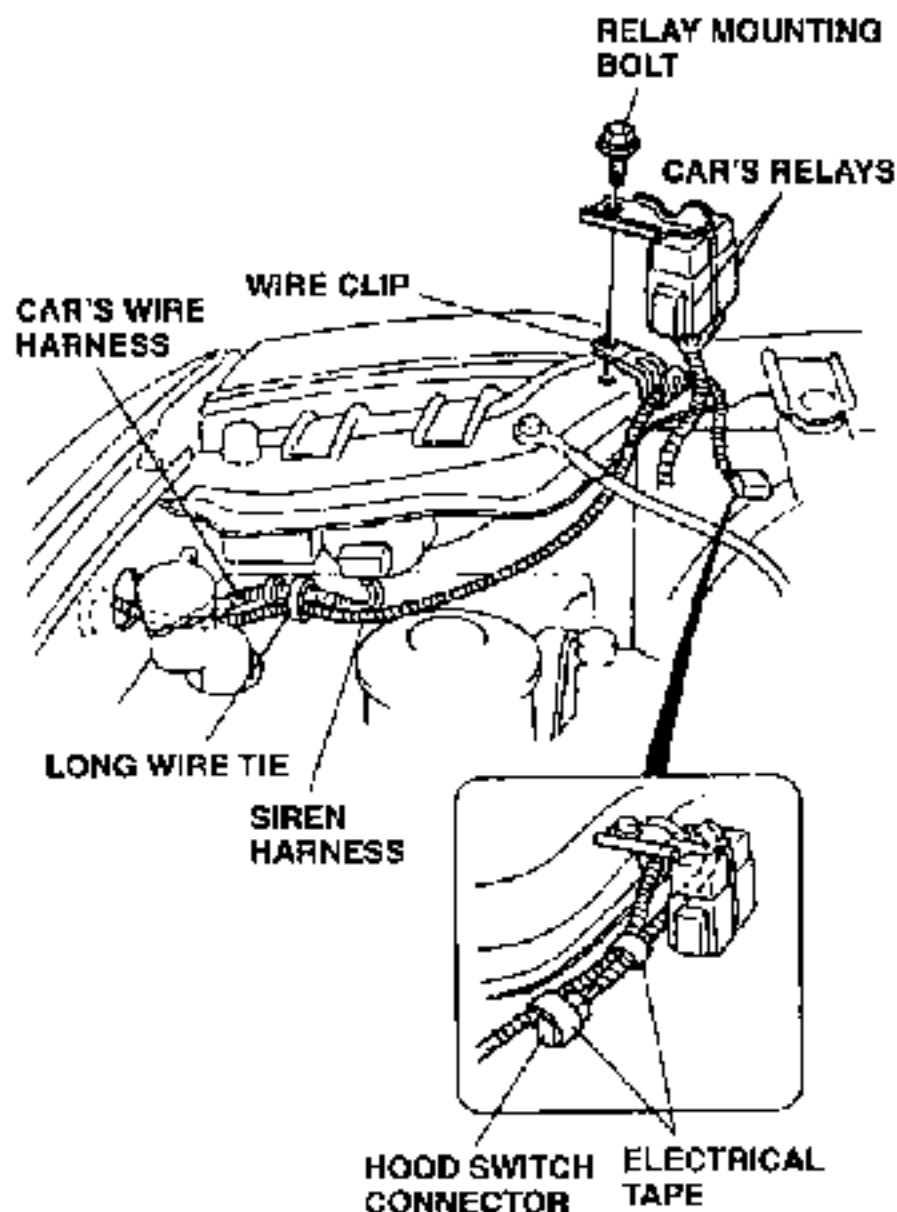
20. Secure the siren harness in the engine compartment:

Without Air Conditioner: Install the wire clip with the 6 x 12 mm washer bolt.



With Air Conditioner:

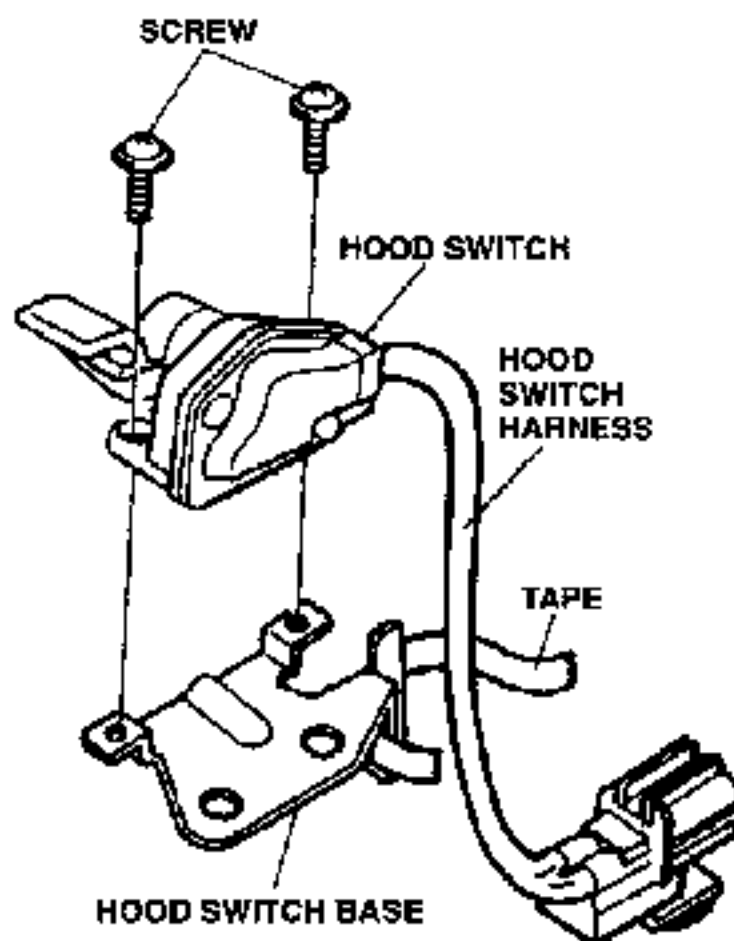
- Remove the relay (one mounting bolt).
- Install the wire clip under the relay; then reinstall the mounting bolt.
- Secure the siren harness to the car's harness using one long wire tie.



- Secure the siren harness to the car's harness using one long wire tie.
- If you are not installing the hood switch, secure the hood switch connector to the harness with electrical tape.

Hood Switch Installation

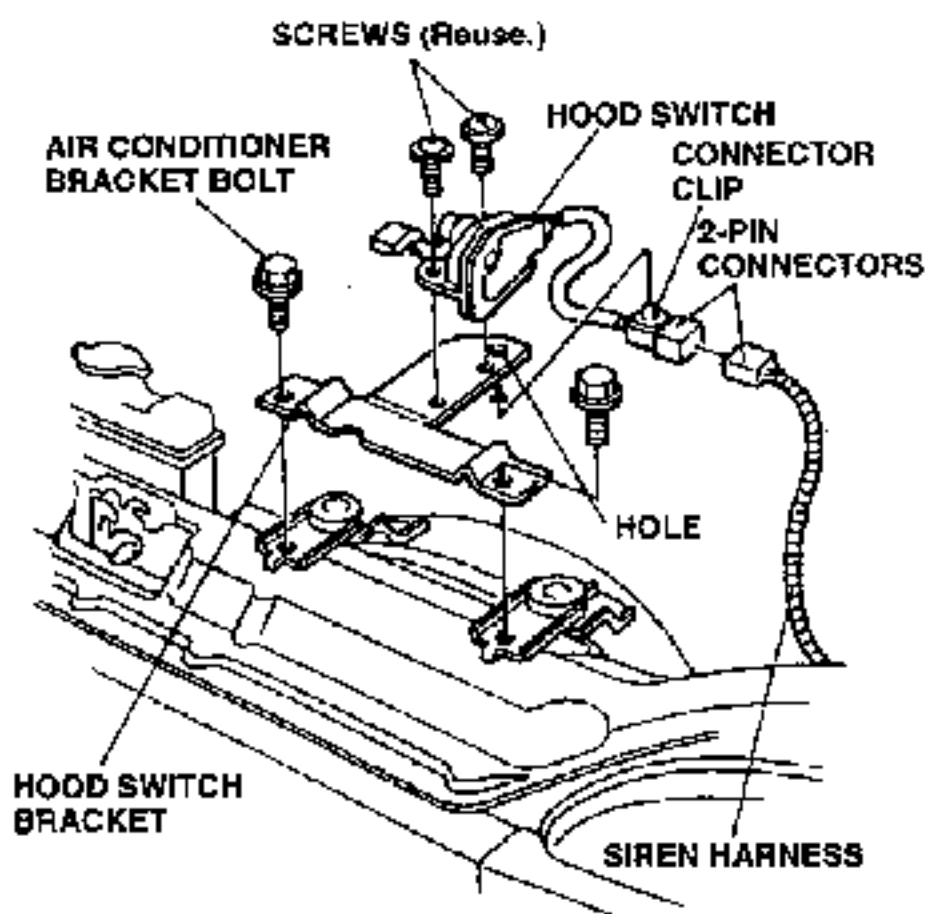
21. Remove the hood switch mounting screws and the tape; then separate the hood switch from the switch base.



22. Install the hood switch and bracket.

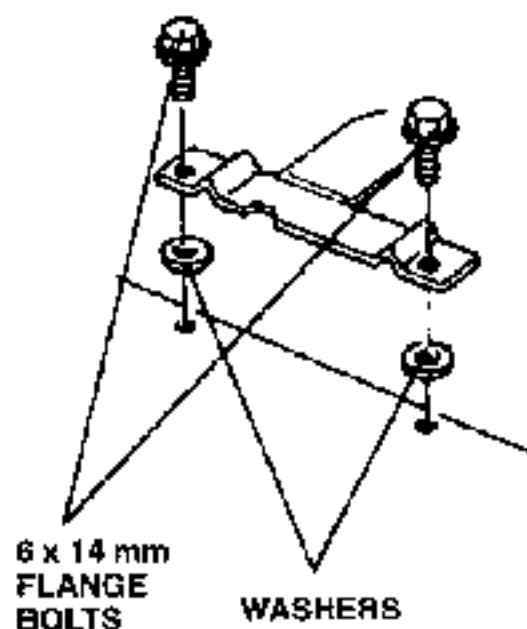
With Air Conditioner:

- Remove the two air conditioner bracket bolts.
- Position the hood switch bracket on the air conditioner bracket, and install and tighten the two air conditioner bracket bolts.
- Attach the hood switch on the hood switch bracket with the screws removed in step 21.
- Connect the hood switch 2-pin connector to the siren harness 2-pin connector.
- Press the connector clip into the hole in the bracket. Secure the hood switch harness to the harness with one short wire tie.

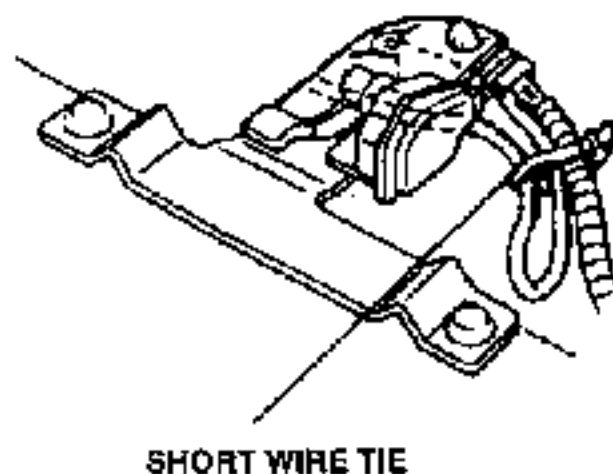


Without Air Conditioner:

- Position the hood switch bracket and the two washers on the center bulkhead to the left of the radiator; install and tighten the two 6 x 14 mm flange bolts.



- Attach the hood switch on the hood switch bracket with the screws removed in step 22.
- Connect the hood switch 2-pin connector to the siren harness 2-pin connector.
- Press the connector clip into the hole in the bracket. Secure the hood switch harness to the siren harness with one short wire tie.



23. Check that all wire harnesses are routed properly and all connectors are plugged in.
24. Reinstall all removed parts.
25. Check the operation of the security system according to the security system owner's manual.
26. Enter the customer's radio anti-theft code, if applicable, and reset the radio station presets.
27. Reset the clock.