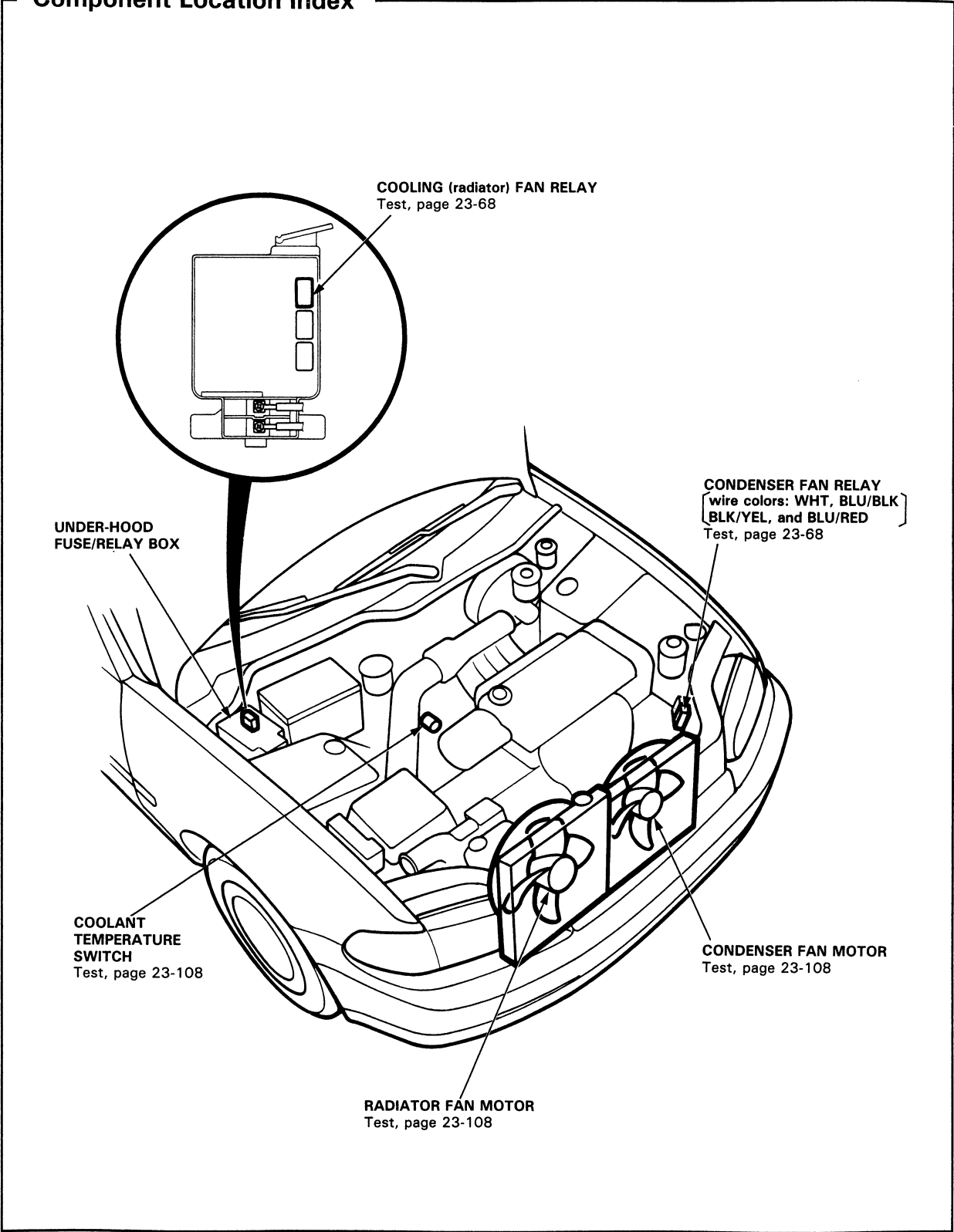


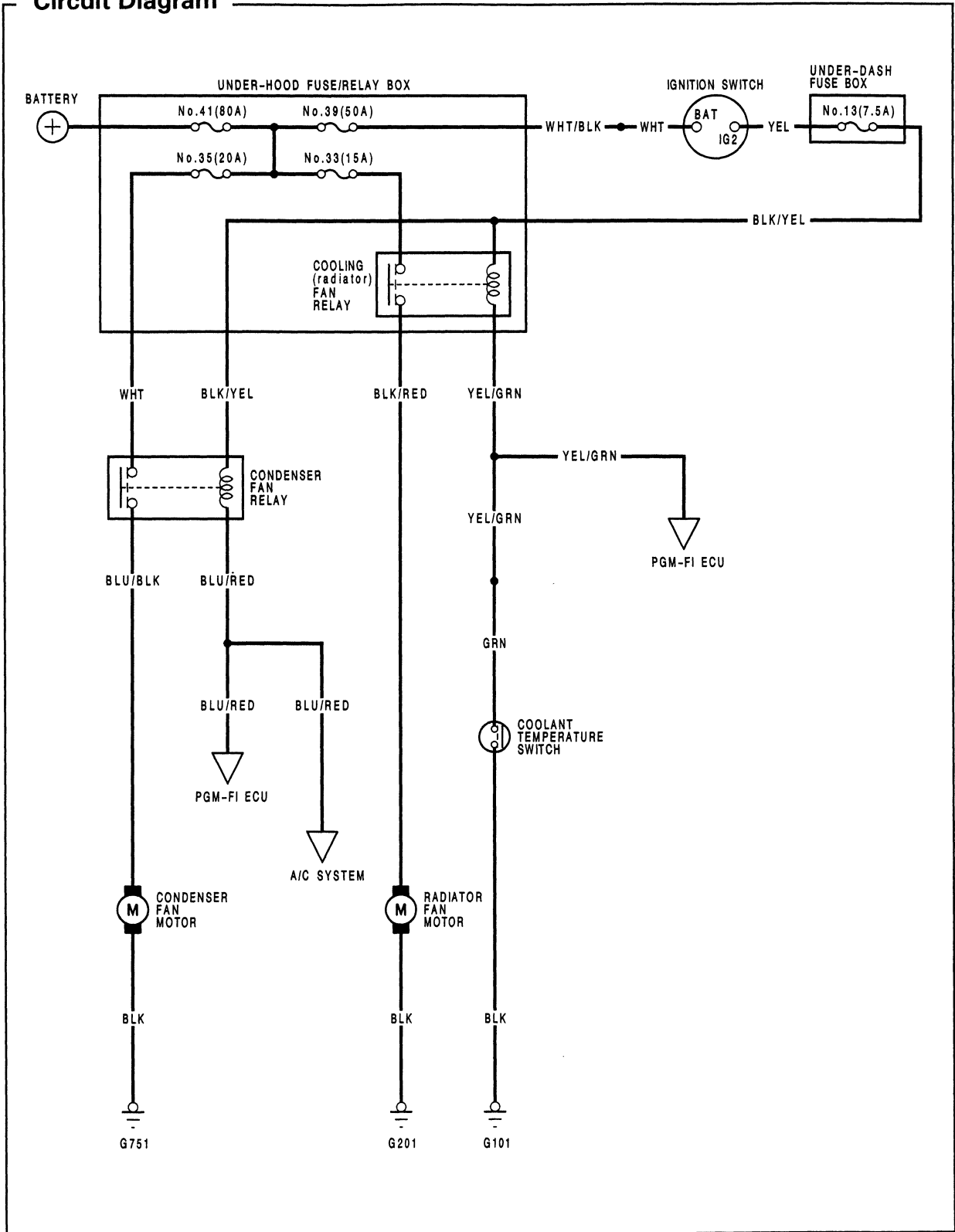
Radiator and Condenser Fan Controls

Component Location Index





Circuit Diagram

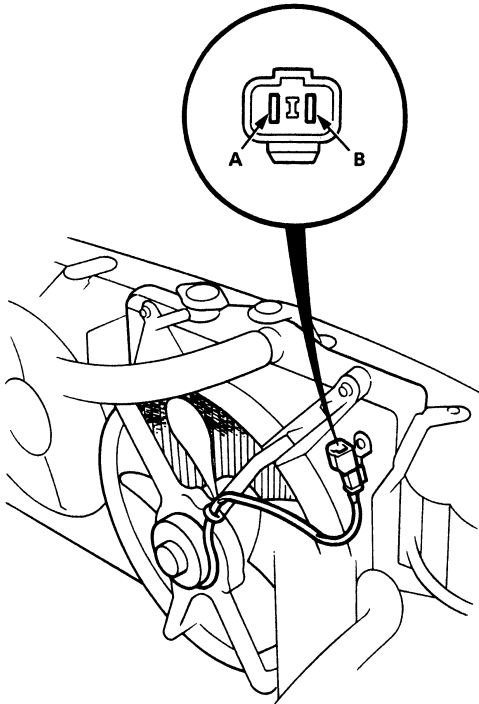


Radiator and Condenser Fan Controls

Fan Motor Test

1. Disconnect the 2-P connector from the fan motor.
2. Test motor operation by connecting battery power to the B terminal, and negative to the A terminal.
3. If the motor fails to run smoothly, replace it.

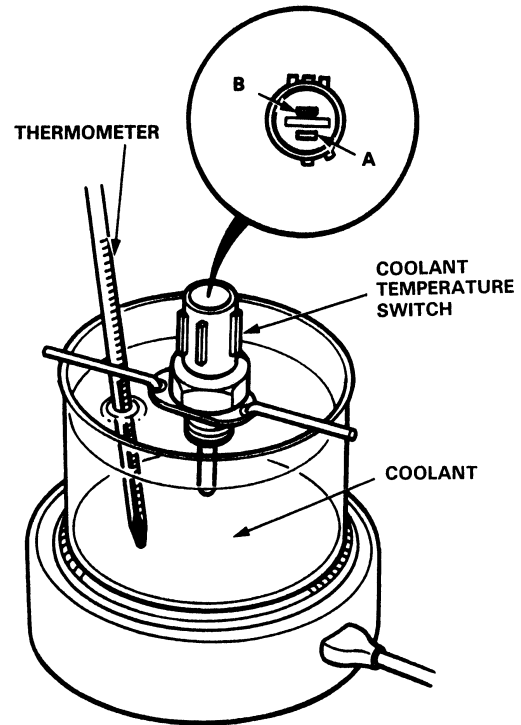
NOTE: The illustration shows radiator fan.



Coolant Temperature Switch Test

NOTE: Bleed air from the cooling system after installing the coolant temperature switch (see Section 10).

1. Remove the coolant temperature switch from the thermostat housing.
2. Suspend the coolant temperature switch in a container of coolant as shown.



3. Heat the coolant and check coolant temperature with a thermometer.
4. Measure the resistance between the A and B terminals according to the table.

		Terminal	
		A	B
Switch	Above		
	Below	○	○