

Applies To: **1988-00 Civic** – ALL  
**1997-01 CR-V** – ALL  
**1993-97 Del Sol** – ALL

**March 31, 2006**

**Clunk or Squeak From Rear Suspension**

(Supersedes 00-006, dated December 11, 2001, to update the information marked by the black bars)

**SYMPTOM**

A clunk or squeak from the rear suspension when going over rough or bumpy roads.

**PROBABLE CAUSE**

Broken rear trailing arm bushing(s).

**CORRECTIVE ACTION**

Replace the rear trailing arm bushing(s).

**PARTS INFORMATION**

Rear Trailing Arm Bushing:

1988-00 Civic and 1993-97 Del Sol  
 P/N 52385-SR3-000, H/C 4098299

1997-01 CR-V:  
 P/N 52385-SR3-003, H/C 7424773

**TOOL INFORMATION**

Trailing Arm Bushing Installation Set:  
 T/N 07AAF-SK7A130, H/C 8283822

**WARRANTY CLAIM INFORMATION**

**In warranty:** The normal warranty applies.

OP#	Description	FRT
419104	Replace right bushing	0.9
419103	Replace left bushing	0.9
419102	Replace both bushings	1.8
431311	Check two-wheel alignment	0.6

Failed Part: 1988-00 Civic and 1993-97 Del Sol:  
 P/N 52385-SR3-000  
 H/C 4098299  
 1997-01 CR-V:  
 P/N 52385-SR3-003  
 H/C 7424773

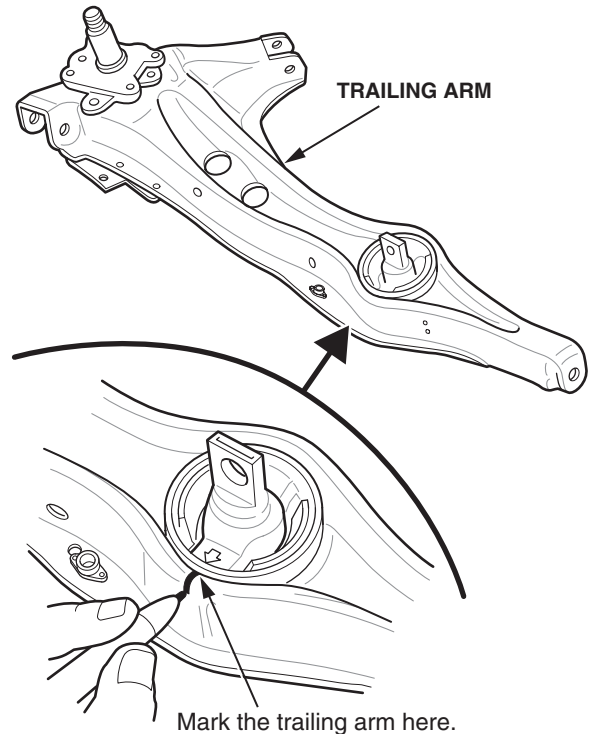
Defect Code: 01801  
 Symptom Code: 04205  
 Skill Level: Repair Technician

**Out of warranty:** Any repair performed after warranty expiration may be eligible for goodwill consideration by the District Parts and Service Manager or your Zone Office. You must request consideration, and get a decision, before starting work.

**REPAIR PROCEDURE**

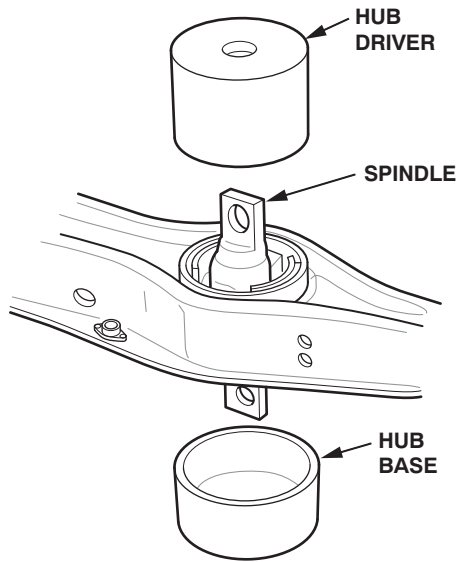
NOTE: ISIS online service manual information is only available for vehicles 1990 and newer.

- Remove the rear trailing arm:
  - Refer to the suspension section of the appropriate service manual, or
  - Online, enter keyword **REAR SUSPENSION**, then select **Suspension Arms Replacement** from the list.
- Mark the trailing arm at the arrow on the bottom of the bushing.

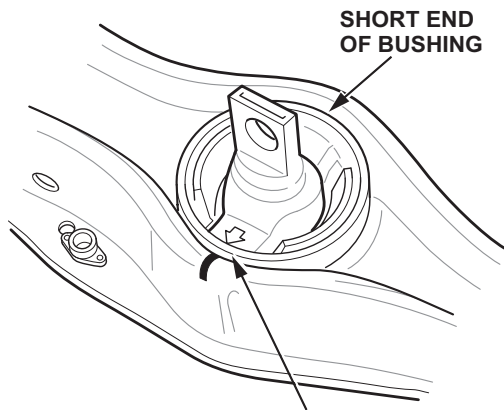


**CUSTOMER INFORMATION:** The information in this bulletin is intended for use only by skilled technicians who have the proper tools, equipment, and training to correctly and safely maintain your vehicle. These procedures should not be attempted by "do-it-yourselfers," and you should not assume this bulletin applies to your vehicle, or that your vehicle has the condition described. To determine whether this information applies, contact an authorized Honda automobile dealer.

- Place the arm on a hydraulic press, supported by the hub base, with the spindle facing up.

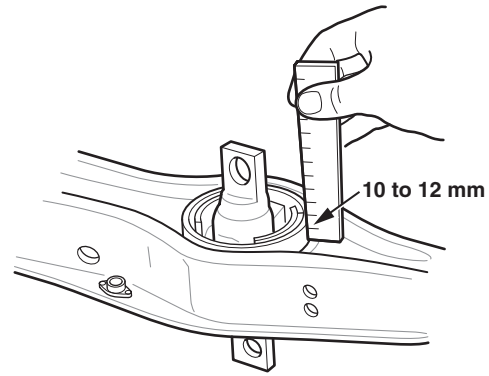


- With the hub driver, press the old bushing out of the trailing arm.
- Install the new bushing with the short end toward the outside of the vehicle. Align the arrow with the mark you made on the trailing arm.



Align the arrow on the new bushing with the mark on the trailing arm.

- Press the new bushing into the trailing arm until its edge is 10 to 12 mm above the surface of the arm.



- Reinstall the trailing arm.
- If necessary, repeat steps 1 thru 7 to install a new bushing in the other rear trailing arm.
- Bleed the brake system:
  - Refer to the brakes section of the appropriate service manual, or
  - Online, enter keyword **BLEED**, then select **Brake System Bleeding** from the list.
- Check the wheel alignment, and adjust it if needed:
  - Refer to the suspension section of the appropriate service manual, or
  - Online, enter keyword **WHEEL ALIGNMENT**, then select **Wheel Alignment - Rear Toe Inspection/Adjustment** from the list.