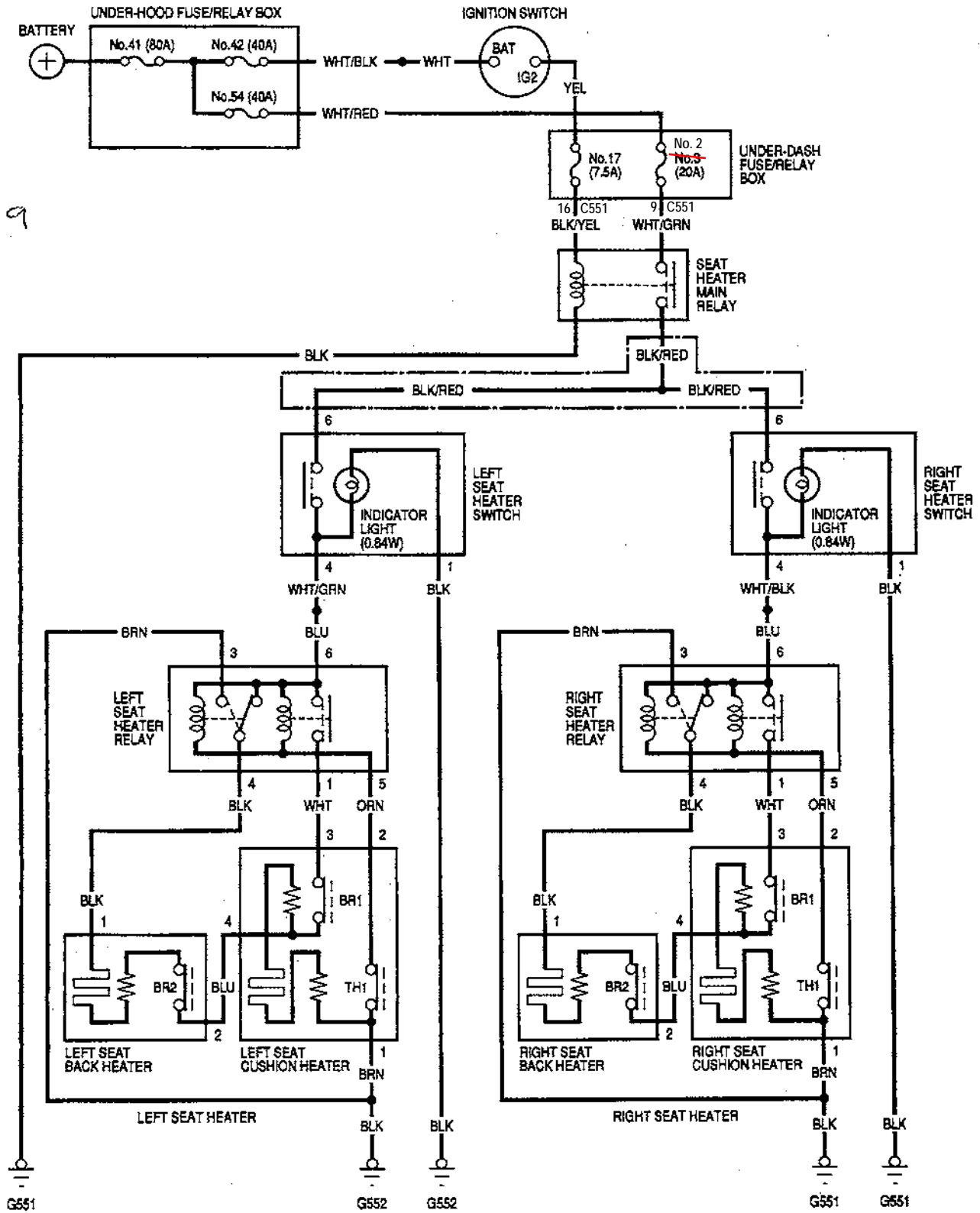


# Seat Heaters

## Circuit Diagram

C579



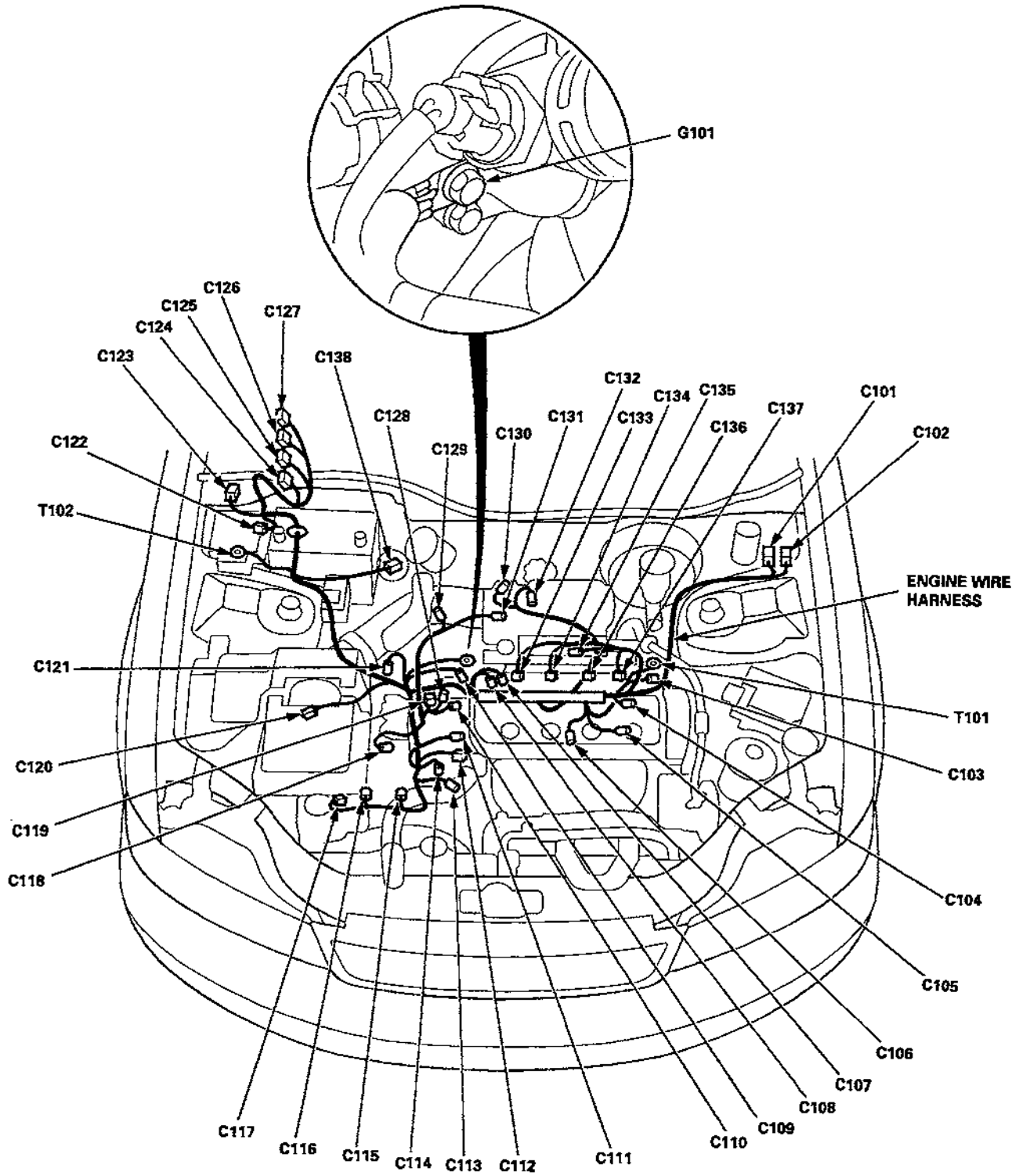
BR1 : BREAKER [OFF above 50°C (122°F)]  
 TH1 : THERMOSTAT [OFF above 40°C (104°F)]  
 BR2 : BREAKER [OFF above 70°C (158°F)]

# Connector Identification and Wire Harness Routing

## Engine Wire Harness

Connector or Terminals	Number of Cavities	Location	Connects to	Notes
C101	10	Left side of engine compartment	Main wire harness (C305)	
C102	8	Left side of engine compartment	Main wire harness (C306)	
C103	3	Left side of engine compartment	Alternator	
C104	3	Middle of engine	Crankshaft speed fluctuation (KCF) sensor	
C105	2	Middle of engine	Knock sensor (KS)	
C106	1	Middle of engine	Engine oil pressure switch	
C107	14	Middle of engine	Junction connector	
C108	14	Middle of engine	Junction connector	
C109	3	Middle of engine	Engine coolant temperature (ECT) switch	
C110	2	Middle of engine	VTEC pressure switch	
C111	1	Middle of engine	Engine coolant temperature (ECT) sending unit	
C112	2	Middle of engine	Engine coolant temperature (ECT) sensor	
C113	4	Middle of engine	Primary HO2S (sensor 1)	
C114	2	Middle of engine	Back-up light switch	M/T
C115	2	Middle of engine	Mainshaft speed sensor	A/T
C116	2	Middle of engine	Shift control solenoid valve	A/T
C117	2	Middle of engine	Linear solenoid valve	A/T
C118	1	Right side of engine compartment	Starter solenoid	
C119	10	Middle of engine	Distributor	
C120	2	Middle of engine	Countershaft speed sensor	A/T
C121	3	Left side of engine compartment	Vehicle speed sensor (VSS)	
C122	20	Behind right kick panel	Junction connector	
C123	22	Under right side of dash	Main wire harness (C442)	
C124	32	Under right side of dash	ECM/PCM	
C125	25	Under right side of dash	PCM	A/T
C126	31	Under right side of dash	ECM/PCM	
C127	16	Under right side of dash	ECM/PCM	
C128	1	Middle of engine	VTEC solenoid valve	
C129	2	Middle of engine	Intake air temperature (IAT) sensor	
C130	3	Middle of engine	Throttle position (TP) sensor	
C131	3	Middle of engine	Manifold absolute pressure (MAP) sensor	
C132	3	Middle of engine	IAC valve	A/T
C132	2	Middle of engine	IAC valve	M/T
C133	2	Middle of engine	No. 4 fuel injector	
C134	2	Middle of engine	No. 3 fuel injector	
C135	2	Middle of engine	EVAP purge control solenoid valve	
C136	2	Middle of engine	No. 1 fuel injector	
C137	2	Middle of engine	No. 1 fuel injector	
C138	2	Middle of engine	EVAP control canister vent shut valve	
T101		Left side of engine compartment	Alternator	
T102		Right side of engine compartment	Under-hood fuse/relay box	
G101		Middle of engine	Engine ground, via engine wire harness	

NEW

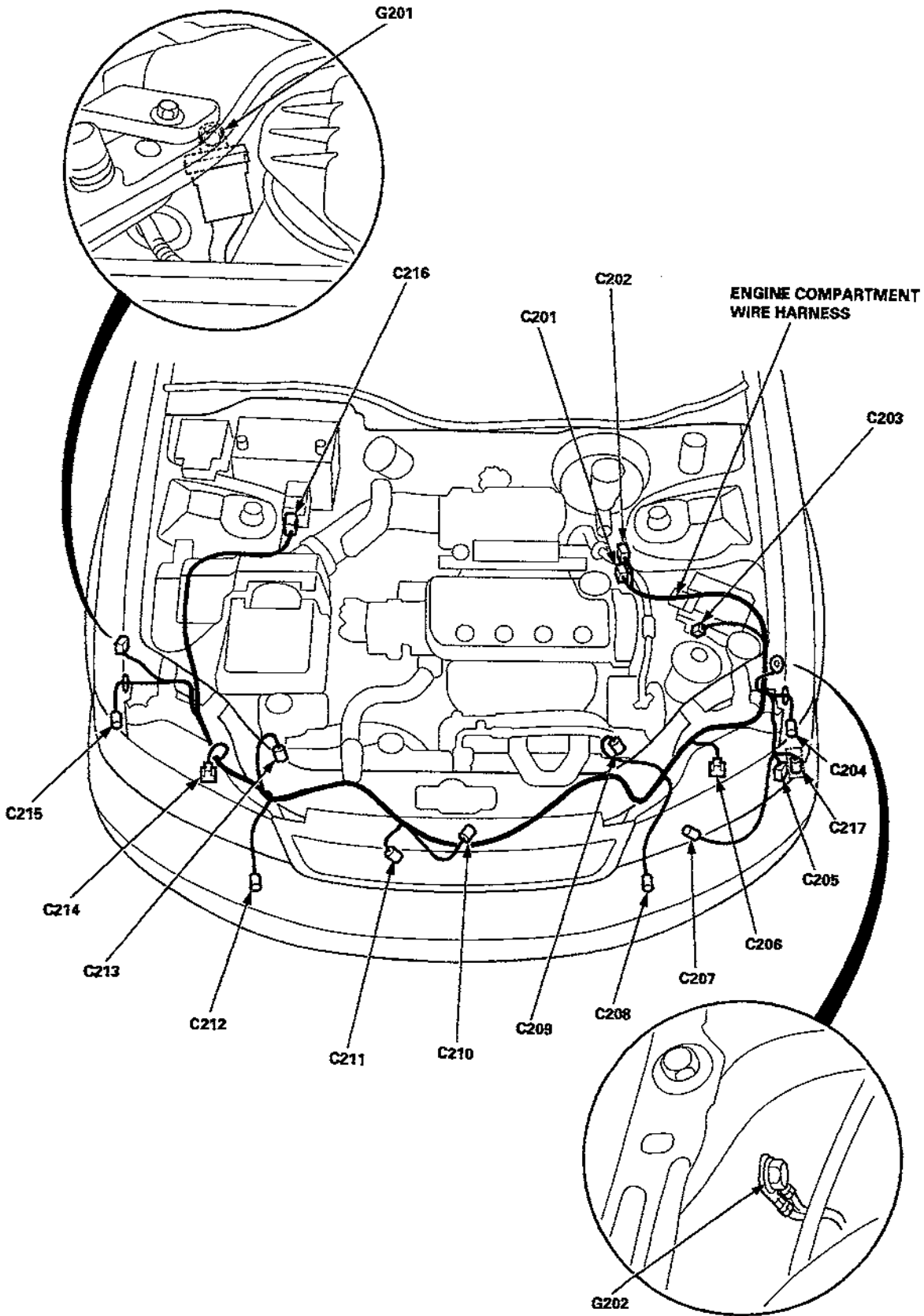


# Connector Identification and Wire Harness Routing

## Engine Compartment Wire Harness

Connector or Terminals	Number of Cavities	Location	Connects to	Notes
C201	10	Left side of engine compartment	Main wire harness (C310)	
C202	3	Left side of engine compartment	Main wire harness (C309)	
C203	4	Left side of engine compartment	Cruise control actuator	
C204	2	Left side of engine compartment	Left front parking light	
C205	2	Behind front bumper	Windshield washer motor	
C206	3	Left side of engine compartment	Left headlight	
C207	2	Behind front bumper	Left horn	
C208	2	Behind front bumper	Left front turn signal light	
C209	4	Left side of engine compartment	A/C wire harness (C751)	
C210	2	Behind front bumper	Hood switch	
C211	2	Behind front bumper	Right horn	
C212	2	Behind front bumper	Right front turn signal light	
C213	2	Right side of engine compartment	Radiator fan motor	
C214	3	Right side of engine compartment	Right headlight	
C215	2	Right side of engine compartment	Right front parking light	
C216	10	Right side of engine compartment	Main wire harness (C356)	
C217	2	Behind front bumper	Washer level switch	
G201		Left side of engine compartment	Body ground, via engine compartment wire harness	
G202		Right side of engine compartment	Body ground, via engine compartment wire harness	

NEW



# Connector Identification and Wire Harness Routing

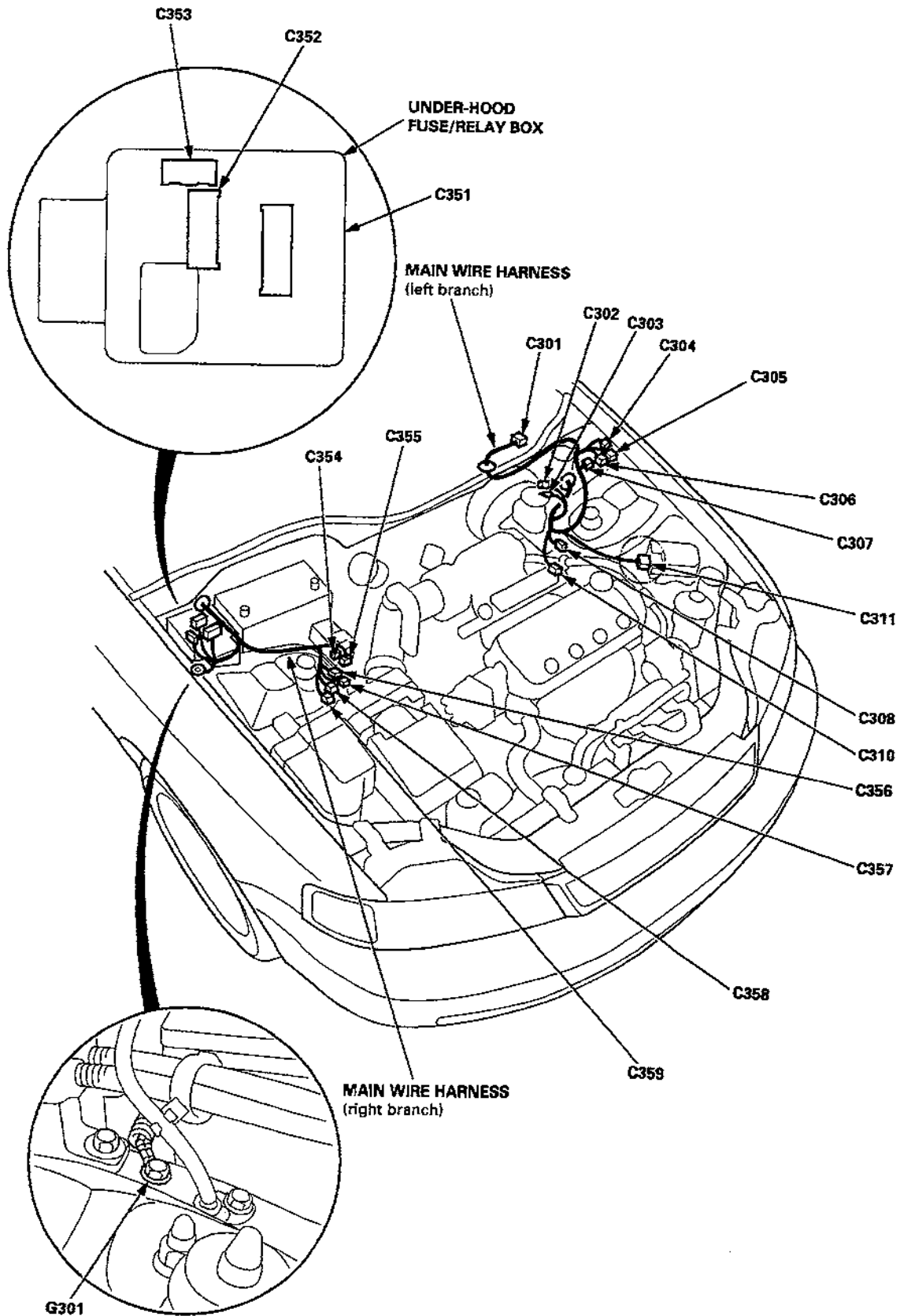
## Main Wire Harness (Left side of engine compartment branch)

Connector or Terminals	Number of Cavities	Location	Connects to	Notes
C301	5	Left side of engine compartment	Windshield wiper motor	
C302	1	Left side of engine compartment	Brake fluid level switch (+)	
C303	1	Left side of engine compartment	Brake fluid level switch (-)	
C304	2	Left side of engine compartment	Test tachometer connector	
C305	10	Left side of engine compartment	Engine wire harness (C101)	
C306	8	Left side of engine compartment	Engine wire harness (C102)	
C307	3	Left side of engine compartment	Daytime running lights resistor	
C308	2	Left side of engine compartment	Left front ABS wheel sensor	
C310	10	Left side of engine compartment	Engine compartment wire harness (C201)	
C311	10	Left side of engine compartment	Cruise control actuator	

NEW

## Main Wire Harness (Right side of engine compartment branch)

Connector or Terminals	Number of Cavities	Location	Connects to	Notes
C351	11	Right side of engine compartment	Under-hood fuse/relay box (C907)	
C352	9	Right side of engine compartment	Under-hood fuse/relay box (C906)	
C353	5	Right side of engine compartment	Under-hood fuse/relay box (C905)	
C354	3	Right side of engine compartment	Under-hood ABS fuse/relay box (C930)	
C355	2	Right side of engine compartment	Under-hood ABS fuse/relay box (C931)	
C356	10	Right side of engine compartment	Engine compartment wire harness (C216)	
C357	2	Right side of engine compartment	Right front ABS wheel sensor	
C358	10	Right side of engine compartment	ABS solenoids	
C359	2	Right side of engine compartment	ABS pump motor	
G301		Right side of engine compartment	Body ground, via main wire harness	

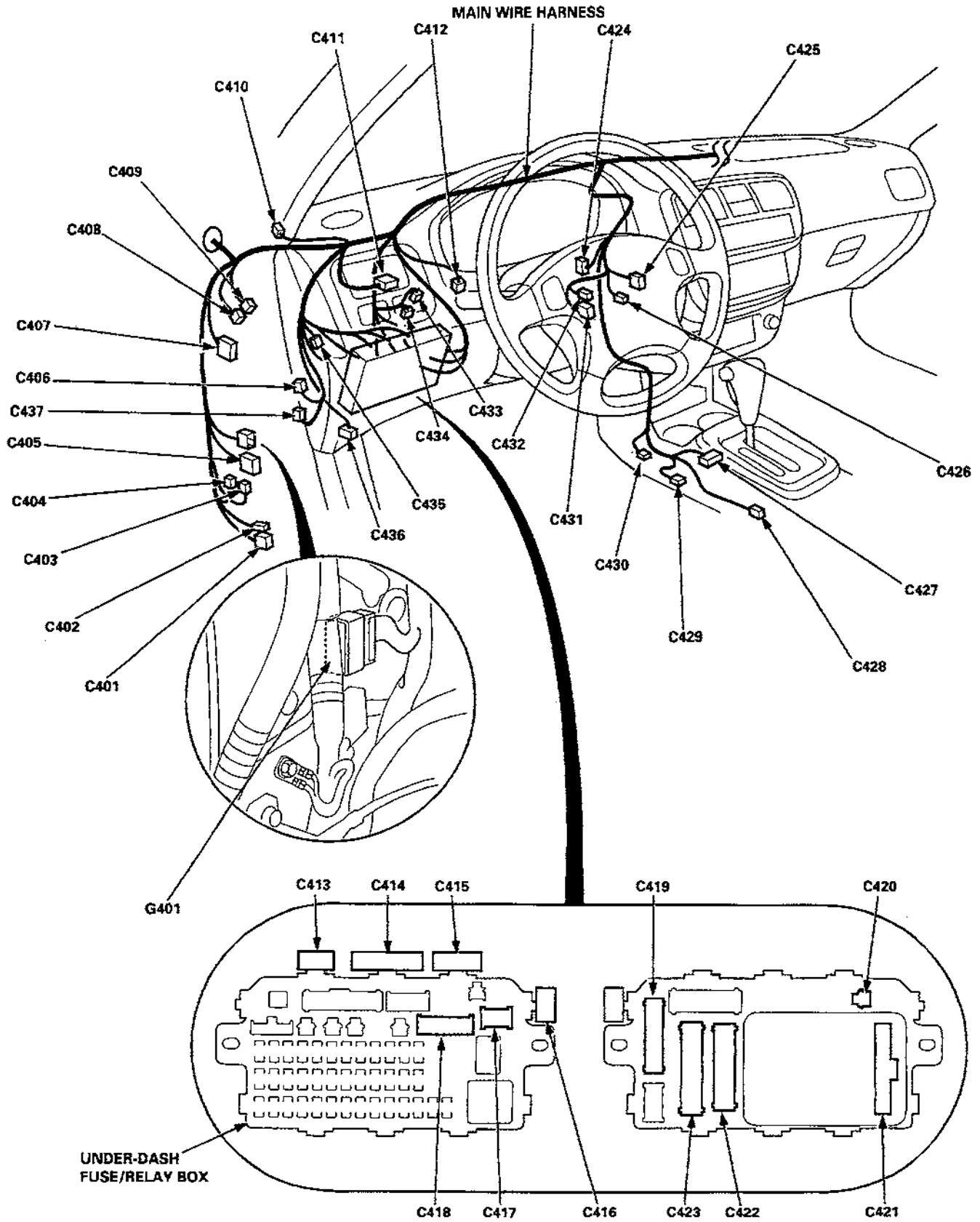


# Connector Identification and Wire Harness Routing

## Main Wire Harness (Left side of dash and floor branch)

Connector or Terminals	Number of Cavities	Location	Connects to	Notes	
C401	8	Under left side of dash	Floor wire harness (C553)	ABS	
C402	2	Under left side of dash	Floor wire harness (C554)		
C403	4	Under left side of dash	Rear window defogger relay		
C404	4	Under left side of dash	Security system headlight relay		
C405	12	Under left side of dash	Floor wire harness (C555)		
C406	4	Under left side of dash	Starter cut relay		
C407	14	Under left side of dash	Cruise control unit		
C408	4	Under left side of dash	Daytime running lights control unit		
C409	8	Under left side of dash	Daytime running lights control unit		
C410	2	Under left side of dash	Moonroof wire harness (C701)		
C411	7	Above under-dash fuse/relay	Ignition switch		
C412	4	Under left side of dash	Brake switch		
C413	3	Above under-dash fuse/relay box	SRS main harness (C802)		
C414	14	Above under-dash fuse/relay box	Dashboard wire harness (C502)		A/T
C415	12	Above under-dash fuse/relay box	Dashboard wire harness (C501)		
C416	4	Right side of under-dash fuse/relay box	Seat heater main relay		
C417	6	Behind under-dash fuse/relay box	Under-dash fuse/relay box (C915)		
C418	7	Behind under-dash fuse/relay box	Under-dash fuse/relay box (C914)		
C419	18	Behind under-dash fuse/relay box	Under-dash fuse/relay box (C922)		
C420	1	Behind under-dash fuse/relay box	Under-dash fuse/relay box (C925)		
C421	10	Behind under-dash fuse/relay box	Integrated control unit		
C422	18	Behind under-dash fuse/relay box	Under-dash fuse/relay box (C919)		
C423	20	Behind under-dash fuse/relay box	Under-dash fuse/relay box (C920)		
C424	8	Under middle of dash	Interlock control unit	A/T	
C425	8	In the steering column cover	Windshield wiper/washer switch	A/T	
C426	3	Under left side of dash	Cable reel		
C427	14	Under middle of dash	A/T gear position switch	A/T	
C428	2	Under middle of dash	Shift lock solenoid	A/T	
C429	4	Under middle of dash	Parking pin switch and A/T gear position console light	Optional	
C430	4	Under middle of dash	Secondary heated oxygen sensor sub-harness (C781)		
C431	7	In the steering column cover	Combination light/turn signal switch		
C432	4	In the steering column cover	Turn signal switch	M/T	
C433	2	Under left side of dash	Clutch switch		
C434	2	Under left side of dash	Clutch interlock switch	M/T	
C435	1	Under left side of dash	Front fog light connector	Optional	
C436	16	Under left side of dash	Data link connector		
C437	4	Under left side of dash	Horn relay		
G401		Left kick panel	Body ground, via main wire harness		





# Connector Identification and Wire Harness Routing

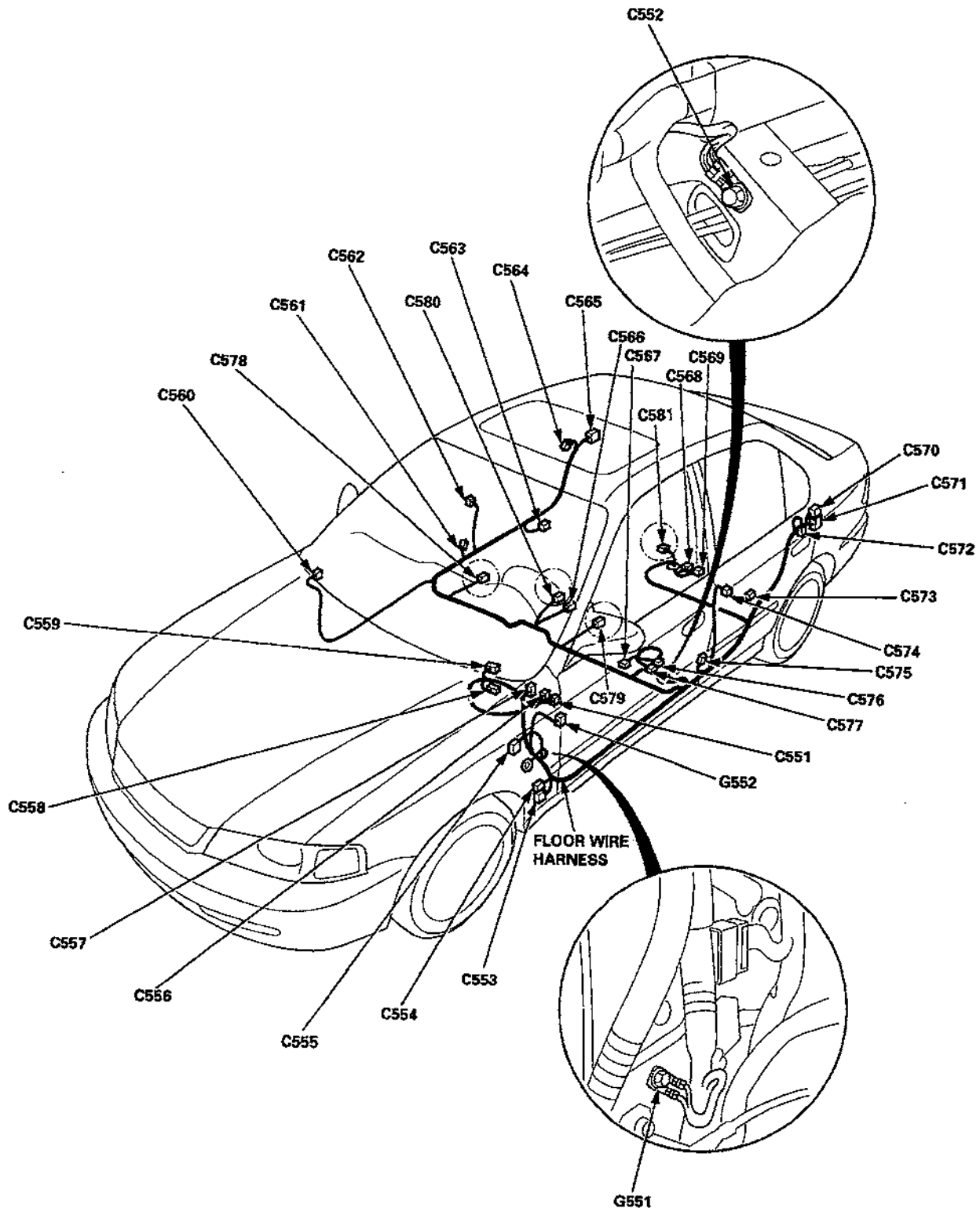
## Floor Wire Harness

Connector or Terminals	Number of Cavities	Location	Connects to	Notes
C551	2	Under left side of dash	Power mirror defogger switch	ABS
C552	25	Driver's door	Driver's door wire harness (C631)	
C553	8	Behind left kick panel	Main wire harness (C401)	
C554	2	Behind left kick panel	Main wire harness (C402)	
C555	12	Behind left kick panel	Main wire harness (C405)	
C556	10	Under left side of dash	Power mirror switch	
C557	16	Above under-dash fuse/relay box	Dashboard wire harness (C504)	
C558	8	Behind under-dash fuse/relay box	Under-dash fuse/relay box (C921)	
C559	16	Behind under-dash fuse/relay box	Under-dash fuse/relay box (C923)	
C560	25	Front passenger's door	Front passenger's door wire harness (C651)	
C561	1	Right B-pillar	Front passenger's door switch	*1
C562	6	Right B-pillar	Right rear door wire harness (C671)	
C563	2	Right side of rear floor	Right rear ABS wheel sensor	
C564	1	Right quarter panel	Right rear door switch	
C565	6	Right quarter panel	Rear wire harness (C613)	
C566	1	Middle of floor	Parking brake switch	
C567	2	Left side of floor	Driver's seat belt switch	
C567	3	Left side of floor	Driver's seat belt switch/Driver's seat heater	
C568	2	Fuel tank	Fuel pump (FP)	
C569	3	Fuel tank	Fuel gauge sending unit	
C570	2	Left quarter panel	Rear wire harness (C601)	*2
C571	16	Left quarter panel	Rear wire harness (C602)	
C572	1	Left quarter panel	Left rear door switch	
C573	2	Left side of rear floor	Left rear ABS wheel sensor	
C574	6	Left B-pillar	Left rear door wire harness (C661)	
C575	1	Left side of floor	Driver's door switch	
C576	12	Left side of floor	Keyless/security control unit	
C577	18	Left side of floor	Keyless/security control unit	
C578	2	Under front passenger's seat	Front passenger's seat heater	
C579	2	Under driver's seat	Driver's seat heater	
C580	6	Behind rear console	Seat heater wire harness (C793)	*3
C581	6	Fuel tank	Fuel tank pressure sensor sub-harness (C795)	
G551		Left kick panel	Body ground, via floor wire harness	
G552		Left side of floor	Body ground, via floor wire harness	

\*1: With AFB sound system

\*2: Without seat heater

\*3: With seat heater



# Connector Identification and Wire Harness Routing

## Roof Wire Harness (Without moonroof)

Connector or Terminals	Number of Cavities	Location	Connects to	Notes
C701	2	Under left side of dash	Main wire harness (C410)	
C702	1	Center of roof	Ceiling light	
C703	1	Center of roof	Ceiling light	

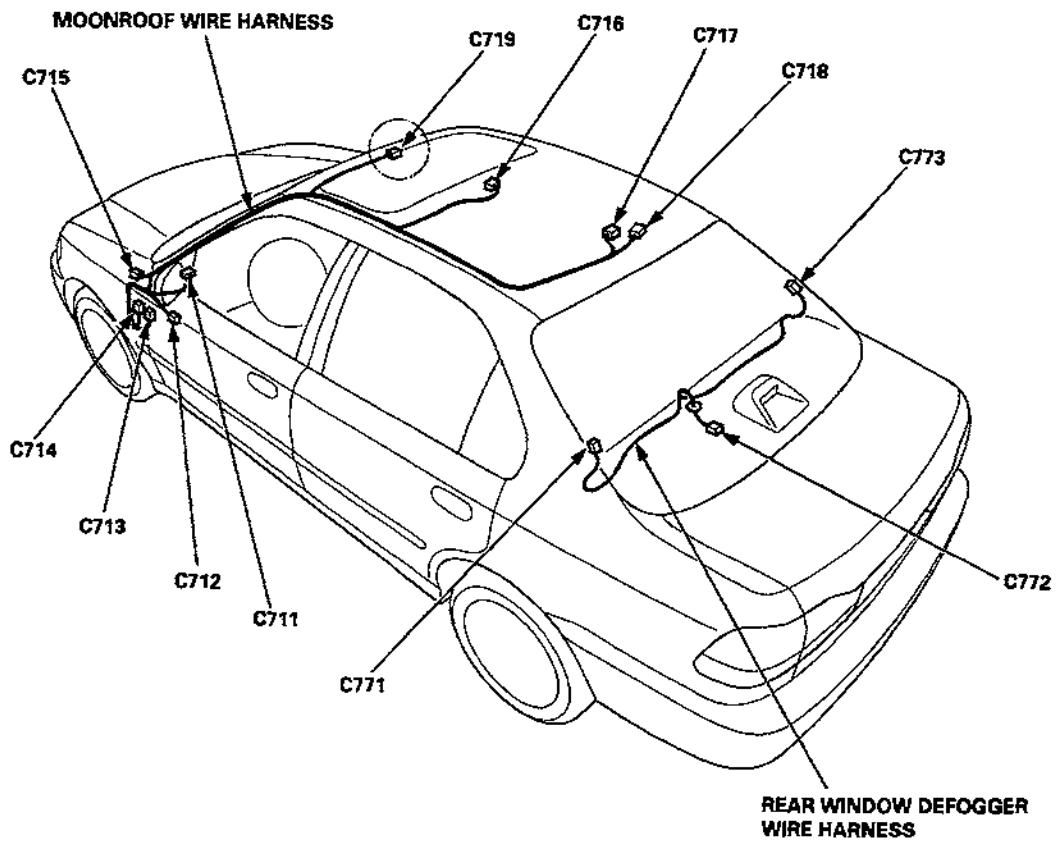
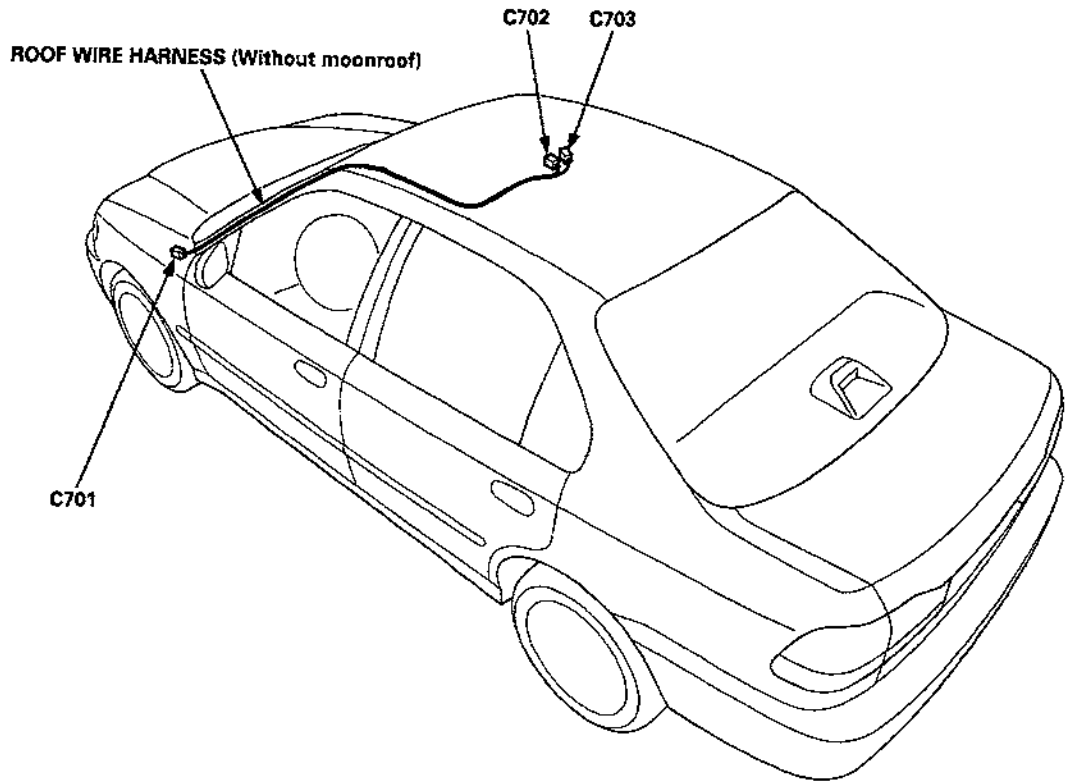
## Moonroof Wire Harness

Connector or Terminals	Number of Cavities	Location	Connects to	Notes
C711	3	Behind dashboard lower panel	Under-dash fuse/relay box (C910)	
C712	4	Behind dashboard lower panel	Moonroof switch	
C713	6	Left side of dashboard bracket	Moonroof open relay	
C714	6	Left side of dashboard bracket	Moonroof close relay	
C715	2	Under left side of dash	Main wire harness (C410)	
C716	3	Center of roof	Ceiling light	
C717	2	Rear of roof	Moonroof motor	
C718	4	Rear of roof	Moonroof motor (Tilt switch)	
C719	1	Front of roof	Spotlights	

NEW

## Rear Window Defogger Wire Harness

Connector or Terminals	Number of Cavities	Location	Connects to	Notes
C771	1	Left C-pillar	Rear window defogger (-)	
C772	2	Left side of rear shelf	Window antenna coil	
C773	1	Right C-pillar	Rear window defogger (+)	



# Connector Identification and Wire Harness Routing

## Seat Heater Switch Wire Harness

Connector or Terminals	Number of Cavities	Location	Connects to	Notes
C791	6	Behind rear console	Front passenger's seat heater switch Driver's seat heater switch Floor wire harness (C579)	
C792	6	Behind rear console		
C793	6	Behind rear console		

## Fuel Tank Pressure Sensor Sub-harness

Connector or Terminals	Number of Cavities	Location	Connects to	Notes
C795	6	Middle of floor	Floor wire harness (C580) Fuel tank pressure sensor EVAP two way valve	
C796	3	Left side of fuel tank		
C797	2	Left side of fuel tank		

