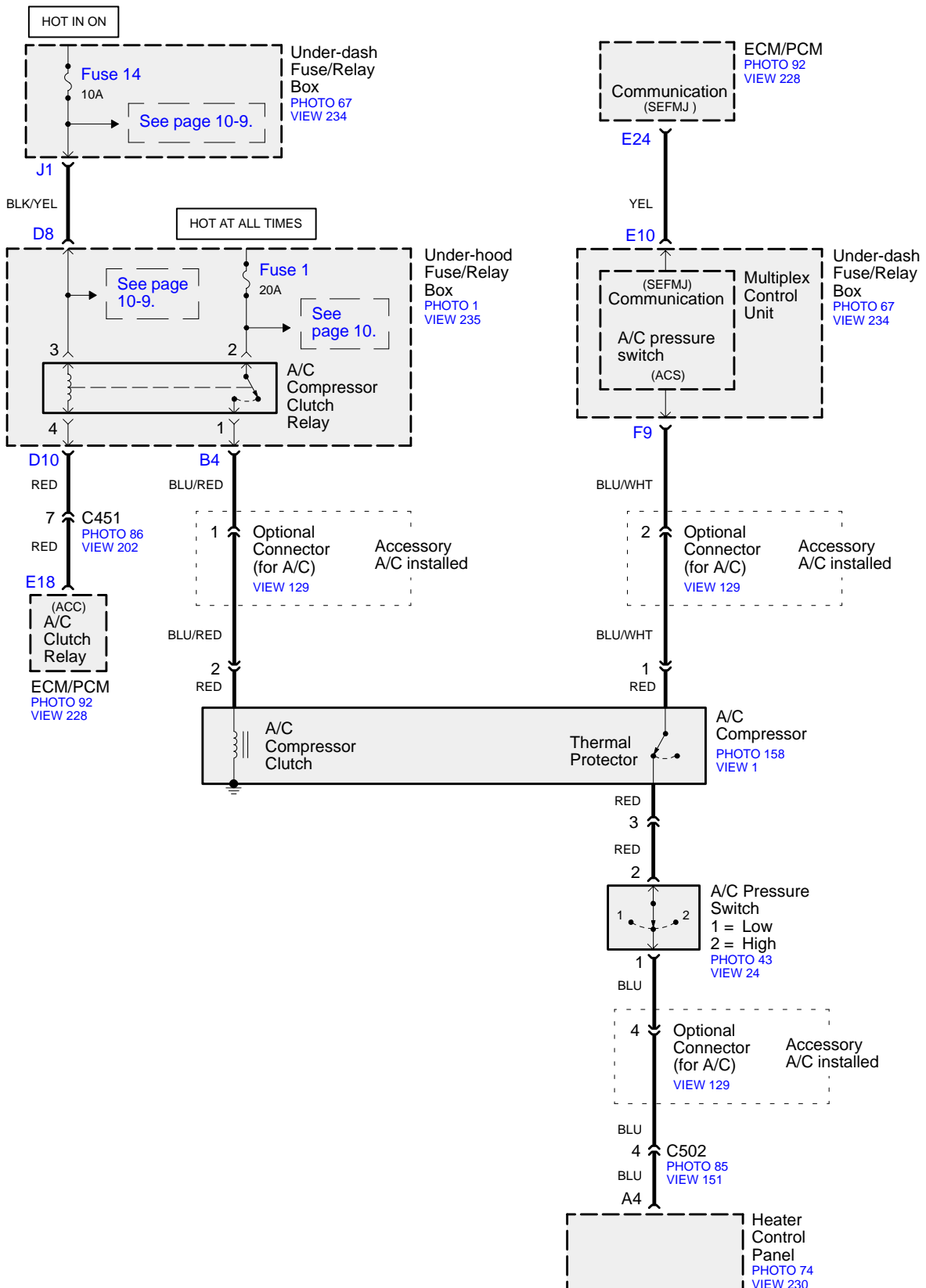


# HVAC

- '02-'05



(cont'd from page 60)

©2005 American Honda Motor Co., Inc.