

Fuel Supply System

Fuel Filters

Replacement

Replace both front and rear filters every 2 years or 40,000 km (24,000 miles) whichever comes first.

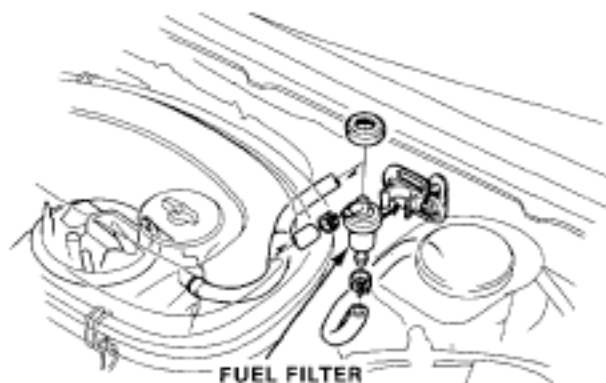
WARNING Do not smoke while working on the fuel system. Keep open flame away from work area.

Front

1. Use fuel line clamps to pinch off the fuel lines.
2. Disconnect the fuel lines and remove the fuel filter.

CAUTION: When disconnecting the fuel lines, slide back the clamps then twist the lines as you pull, to avoid damaging them.

3. Install the new fuel filter.
4. Remove the fuel line clamps.

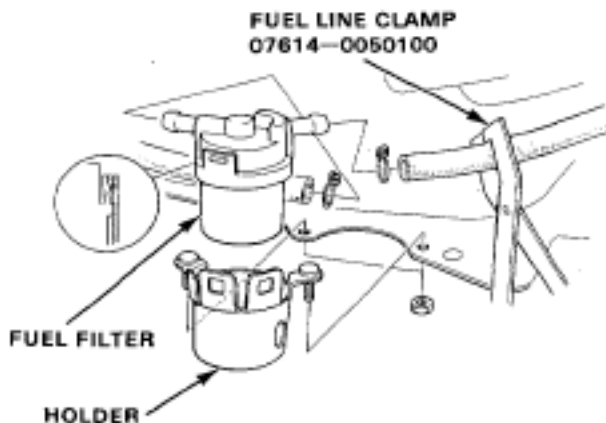


Rear

1. Block front wheels. Jack up the rear of the car and support with jackstands.
2. Push in the tab of the fuel filter to release the holder, then remove the filter from its bracket.
3. Attach fuel line clamps to the fuel lines and disconnect the lines from the filter.

CAUTION: To avoid damaging the fuel lines when disconnecting, slide back the clamps then twist the lines as you pull.

4. Install in the reverse order of removal.



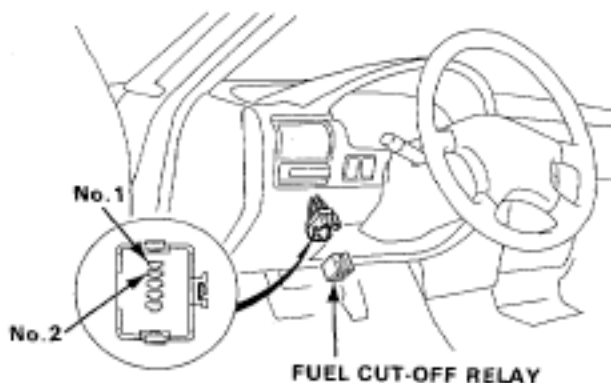
Fuel Pump

Testing

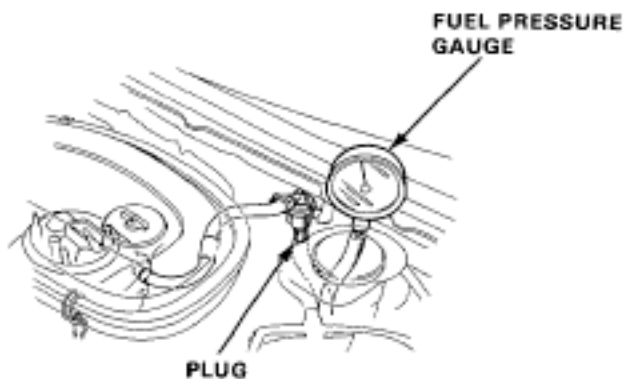
WARNING Do not smoke during the test. Keep any open flame away from your work area.

NOTE: Check for a clogged fuel filter and or fuel line before checking fuel pressure.

1. Remove the dashboard under cover and the fuel cut-off relay.
2. Connect a jumper wire between the No.1 terminal and the No.2 terminal.



3. Disconnect the fuel line at the fuel filter in the engine compartment, and connect a pressure gauge to it as shown.



4. Turn ignition ON until pressure stabilizes, then turn key off.

Pressure should be 8.8–13.7 kPa (1.3–2.0 psi).

- If gauge shows at least 8.8 kPa (1.3 psi), go on to step 5.
- If gauge shows less than 8.8 kPa (1.3 psi), replace the pump and retest.