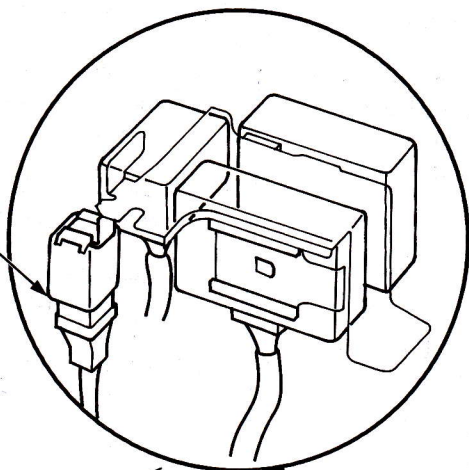


Starting System

Component Location Index

STARTER CUT RELAY
[Wire colors: BLK, BLK/WHT,
BLK/GRN, WHT/RED]
Test, page 23-72



BATTERY
Test, page 23-70

A/T GEAR POSITION SWITCH
Test, page 23-161
Replacement, page 23-164

CLUTCH INTERLOCK SWITCH (M/T)
Test, page 23-82
Switch Position Adjustment,
section 12

STARTER
Test, page 23-80
Solenoid Test, page 23-82
Replacement, page 23-83
Overhaul, page 23-84, 85
Reassembly, page 23-90

