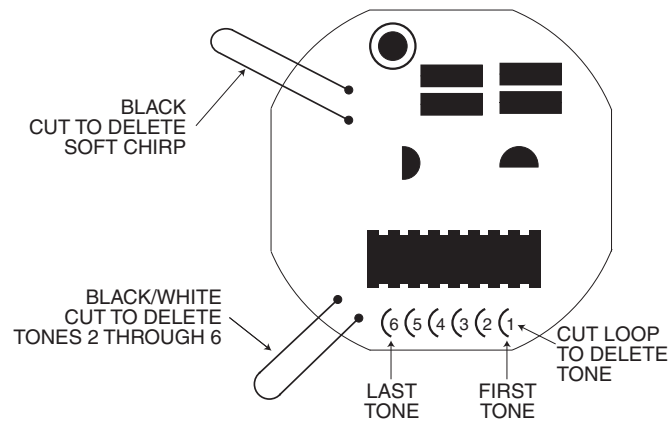


## 514C Soft-Chirp Siren



The 514C Soft-Chirp siren will chirp 6dB softer than its full-volume output. This means that arming and disarming chirps, Warn-Away chirps, and the first stage of the two-stage progressive door trigger will be 6dB quieter than the siren's constant output.

**To restore chirps to full volume:**

Cut the black loop coming from the base of the siren. The loop should be cut as close to the siren as possible.

**To delete siren tones:**

Cut the loops indicated in the diagram above.

**To delete siren tones 2 through 6: (for EU market)**

Cut the BLACK/WHITE wire loop coming from the base of the siren. The loop should be cut as close to the siren as possible.